

U. S. PUBLIC LAND SURVEY MONUMENT RECORD

INSTRUCTIONS:

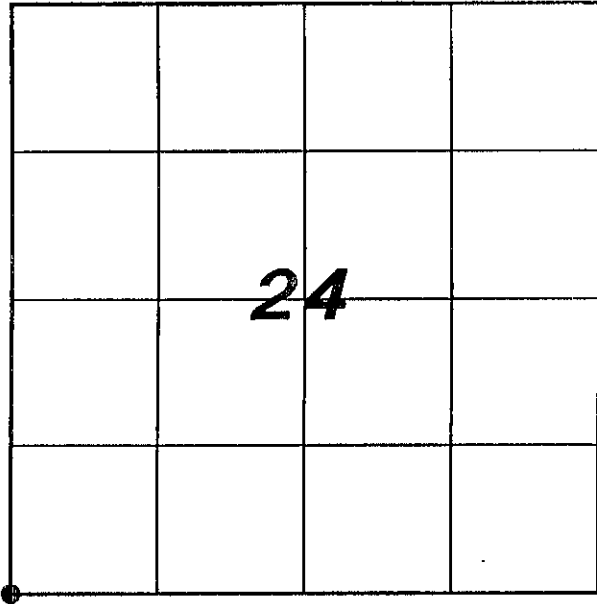
This record shall show the location of the corner and shall include all of the following nine elements (a through i).

(a) Identify the corner by reference to the U.S. public land survey system.

● - Corner monument restored

SW CORNER SECTION 24
T8N, R3W, GRANT COUNTY.

Date of Survey: April 8, 1997



(b) Describe any record evidence, monument evidence, occupational evidence, testimonial evidence or any other material evidence you considered, and whether the monument was found or placed.

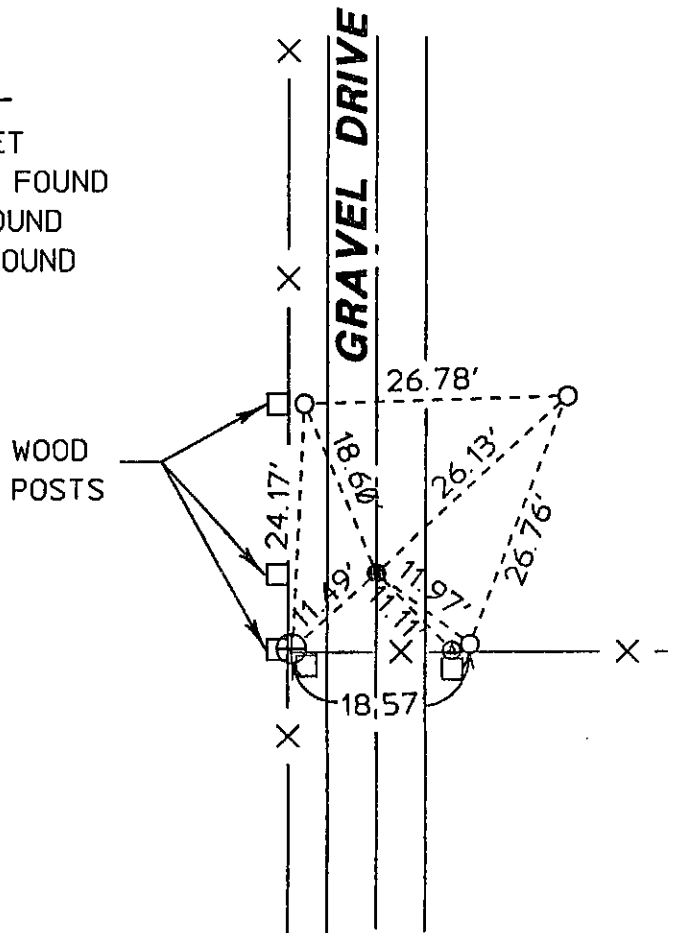
I found the 1" iron pipe at the SW corner of Section 24 as established by David A. Davis' (map dated August 17, 1979). This location agrees with measurement to stakes shown on Davis' map and on a map by Lawrence E. Schmit (August 9, 1994).

(c) In the plan view drawing below, provide reference ties to at least 4 witness monuments, or, if the location is within a municipality, to at least 2 witness monuments. (Witness monuments shall be made of concrete, natural stone, iron or other equally durable material.) Describe witness monuments.

LEGEND

(d) Show a plan view drawing depicting the relevant monuments and reference ties which is sufficient in detail to enable accurate relocation of the corner monument if the corner monument is disturbed. Indicate north.

- 3/4" REBAR SET
- 1" IRON PIPE FOUND
- ⊙ 1/2" REBAR FOUND
- ⊕ ALUM. MON. FOUND



Describe any material discrepancy between the location of the corner as restored or reestablished and the location of that corner as previously restored or reestablished by distance and direction. Show the discrepancy on the plan view drawing under (d), and (1) the corner as restored or reestablished, and (2) to at least 2 of the witness monuments shown on the drawing in (d), above.

There is an aluminum monument 11.49' to the Southwest at the fence intersection. The location of the 1" iron pipe is the location used on maps by the following surveyors: David A Davis (August 17, 1979) Lawrence E. Schmit (August 9, 1994) and Sean M. Walsh (January 20, 1997). The 1" iron pipe is also at the location as shown on a map of Section Corners by Lawrence E Schmit (Dwg. No. 77001B).

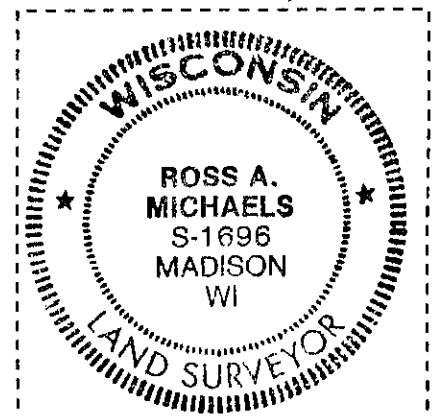
(f) Was the corner restored through acceptance of (1) an obliterated evidence location, or, (2) a found perpetuated location?

A found perpetuated location

(g&h) Was the corner reestablished through lost corner proportionate methods? If so, show the method, including the directions and distances to other public land survey corners used as evidence or used for proportioning in determining the corner location?

Not a lost corner

Affix Land Surveyor Seal



(i) I, Ross A. Michaels

(type or print name) certify that the corner location shown on this record was determined by me or under my direction and control and that this U.S. Public Land Survey Monument Record is correct and complete to the best of my knowledge and belief.

Ross A. Michaels
Signature

April 21, 1997
Date