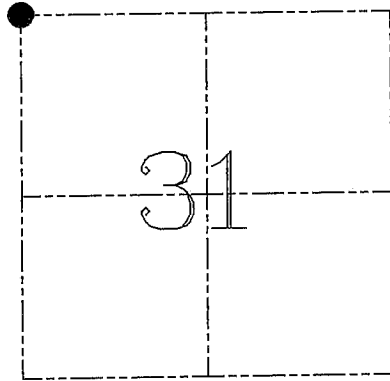
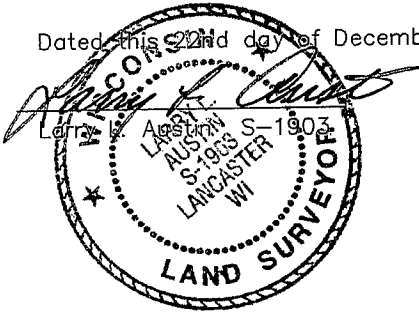


**U.S. PUBLIC LAND SURVEY MONUMENT RECORD – GRANT COUNTY, WI**  
**Section 31, Town 6 North Range 3 West, Town of Mount Ida**

**CERTIFICATE**

I, Larry L. Austin, do hereby certify that the corner location on this record was determined by me and/or under my direct supervision and that this U.S. public land survey monument record is correct and complete to the best of my knowledge and belief.

Dated this 22nd day of December, 2003



● = CORNER LOCATION

**HISTORY OF CORNER ESTABLISHMENT**

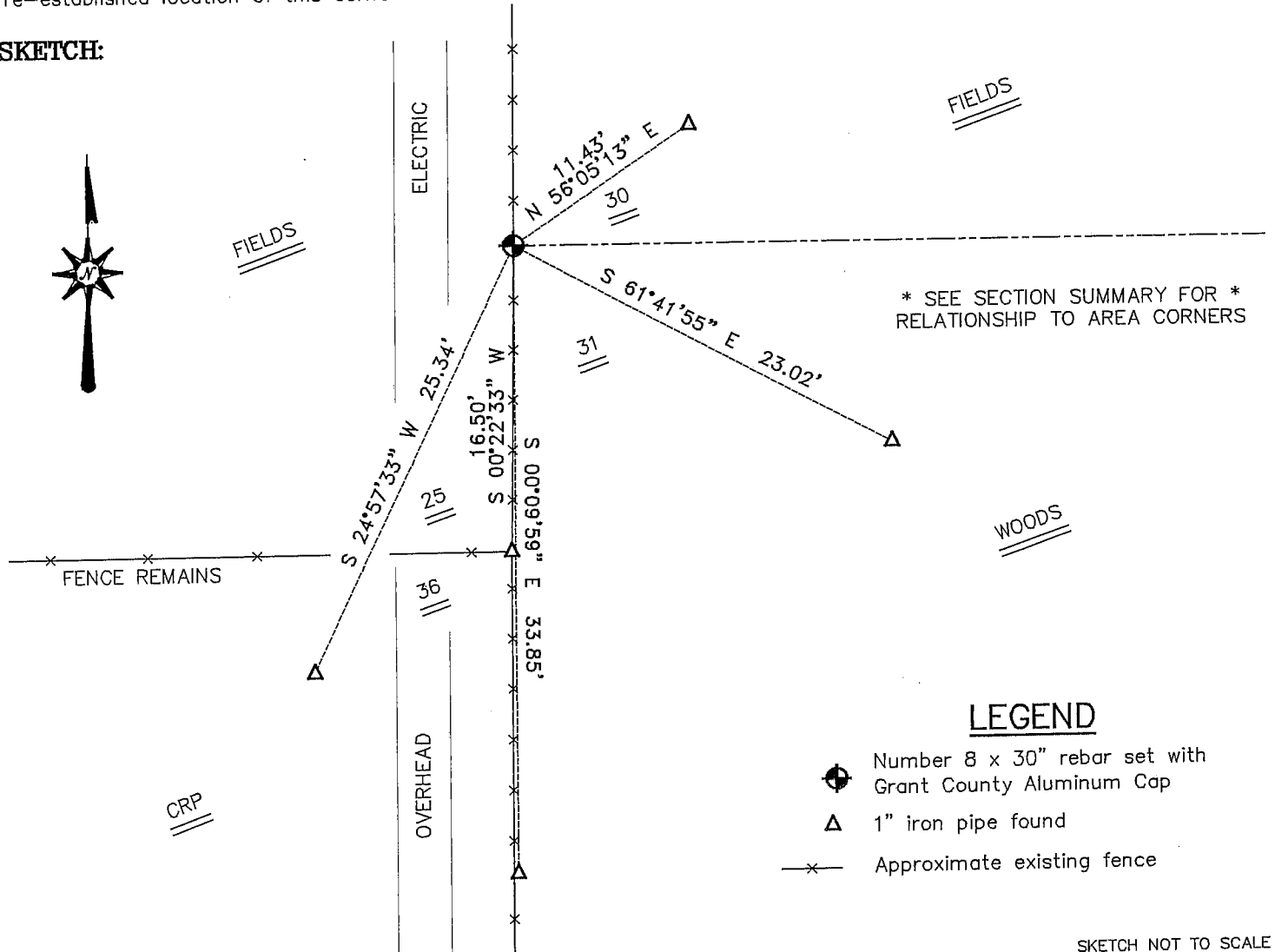
Corner was originally set in 1833 by Parke.  
 No other record of the corner was found.

**DESCRIPTION OF CORNER EVIDENCE FOUND**

I set the corner at the recorded offset from the existing Northeast corner of Section 36. Verified this location using EDM & GPS methods.

**DESCRIPTION OF CORNER AND WITNESS MONUMENTS**, references and accessories used to perpetuate the original or re-established location of this corner. Witnesses to corner location Bobby Sedgwick & Shelby Blindert & Brad Digman

**SKETCH:**



\* SEE SECTION SUMMARY FOR \*  
 RELATIONSHIP TO AREA CORNERS

**LEGEND**

- Number 8 x 30" rebar set with Grant County Aluminum Cap
- △ 1" iron pipe found
- x— Approximate existing fence

SKETCH NOT TO SCALE

**AUSTIN ENGINEERING, LLC**

4211 HWY 81 EAST, LANCASTER, WI 53813  
 PHONE 608-723-6363 FAX 608-723-6702

FIELDBOOK: TDS RNGR, 2301  
 G:\T6NR3W\30A  
 H:\TIE\T6NR3W\113  
 JOB NUMBER 03S257

DRAWN BY: SW AUSTIN  
 APPROVED: LL AUSTIN

**CORNER NUMBER 113**

JUN 1994

# GOVERNMENT CORNER RECORD

Southwest CORNER, SECTION 30, TOWNSHIP 6 NORTH, RANGE 3 EAST - WEST,

TOWN, CITY OR VILLAGE OF Mount Ida

TYPE OF MONUMENT: 1" Iron Pipe Found ELEVATION - M.S.L. DATUM \_\_\_\_\_

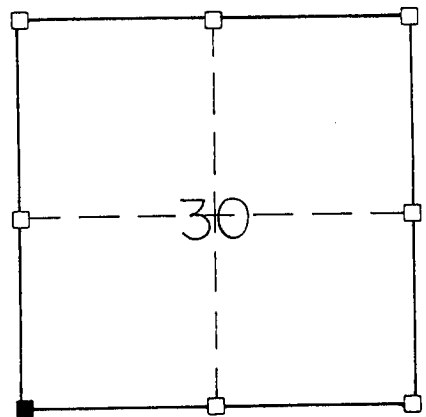
WITNESSES TO CORNER LOCATION

Sean M. Walsh

Scott H. Chyko

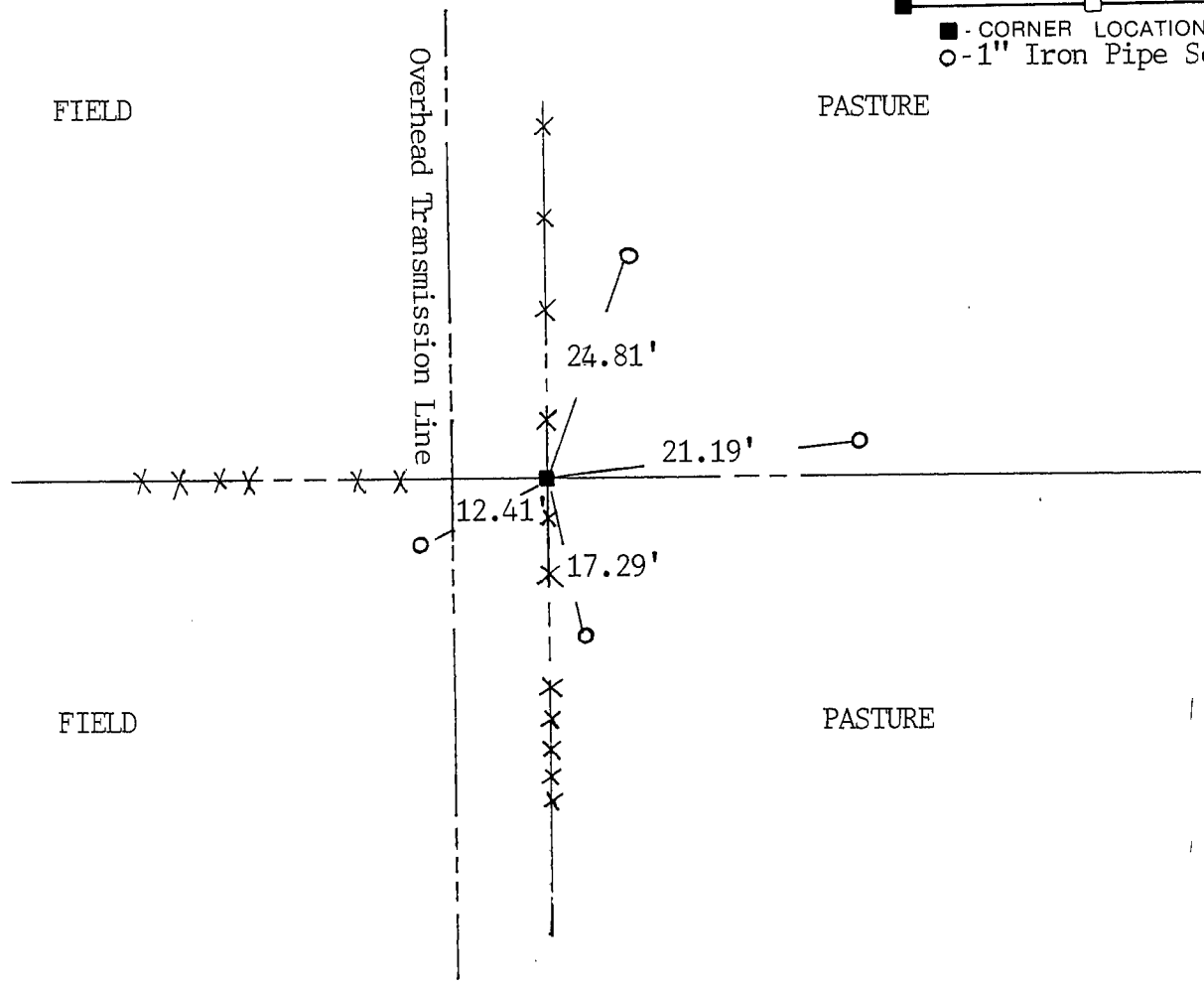
SECTION 30, T. 6 N, R. 3 EW

TOWN OF Mt. Ida



NORTH

TIE SKETCH  
(SHOW ALL HELPFUL FEATURES)



FIELD

PASTURE

FIELD

PASTURE

SURVEYOR'S CERTIFICATE

SEAL S. 2016

I, Sean M. Walsh, DO HEREBY CERTIFY THAT I have accepted and perpetuated  
this corner as shown hereon and that this information is correct and true  
to the best of my information, knowledge and belief. I accepted the pipe  
found at this location as the only available evidence and perpetuated as  
shown above.

DATED THIS 23 DAY OF MAY, 19 94

*Sean M. Walsh*  
REGISTERED LAND SURVEYOR

