

GOVERNMENT CORNER RECORD

S 1/4 CORNER, SECTION 30, TOWNSHIP 6 NORTH, RANGE 3 EAST - WEST,
 TOWN, CITY OR VILLAGE OF Mt. Ida
 TYPE OF MONUMENT: 3/4" X 24" Iron Rod Set ELEVATION - M.S.L. DATUM _____

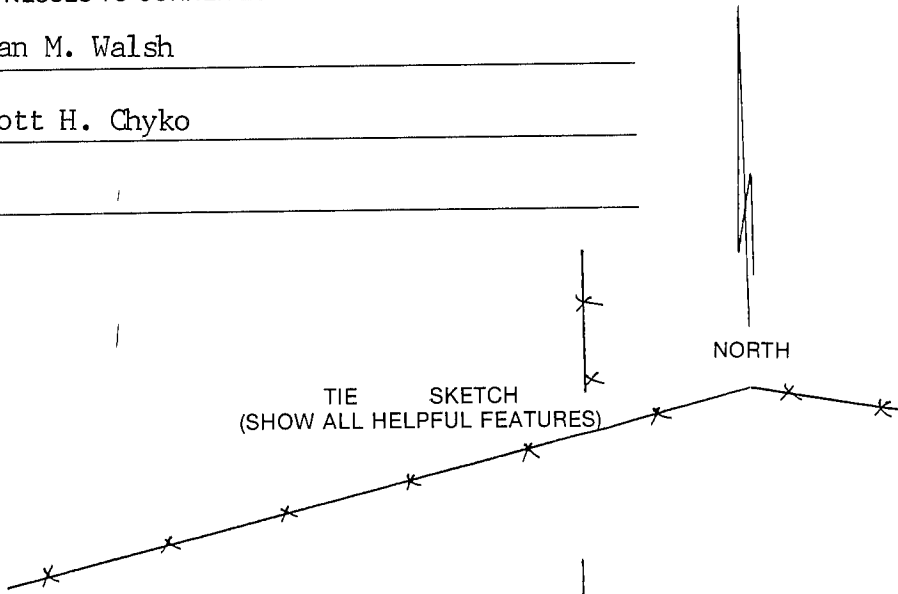
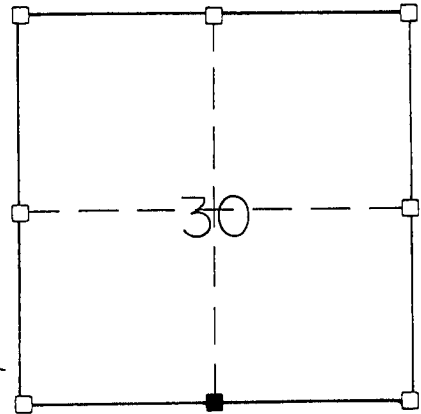
WITNESSES TO CORNER LOCATION

Sean M. Walsh

Scott H. Chyko

SECTION 30, T 6 N, R 3 EW

TOWN OF Mt. Ida

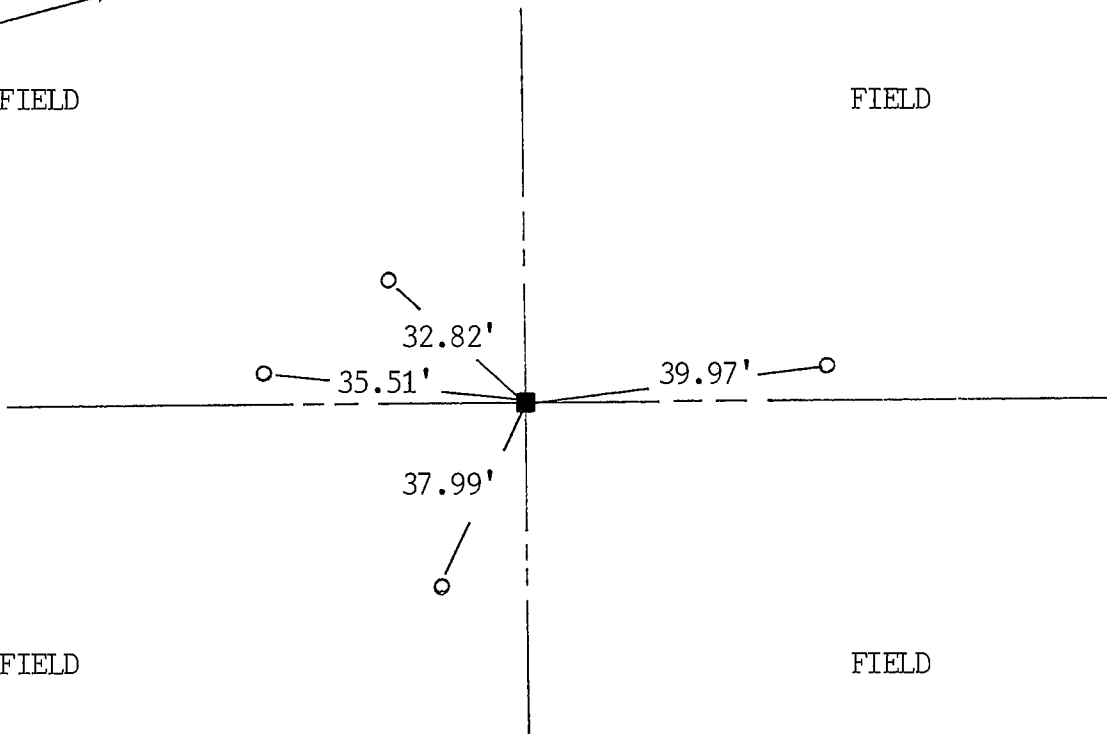


FIELD

FIELD

FIELD

FIELD



SURVEYOR'S CERTIFICATE

SEAL S. 2016

I, Sean M. Walsh, DO HEREBY CERTIFY THAT I have monumented and
 perpetuated the above corner as shown hereon. This location was determined
 by the proportionate projection of the occupied SE cor SW 1/4 -
 SW 1/4 Section 30 from the Southeast corner thereof. That this information is
 correct and true to the best of my information, knowledge and belief.

DATED THIS 23 DAY OF MAY, 1994

Sean M. Walsh
 REGISTERED LAND SURVEYOR

