

SEP 17 1943

# U. S. PUBLIC LAND SURVEY MONUMENT RECORD

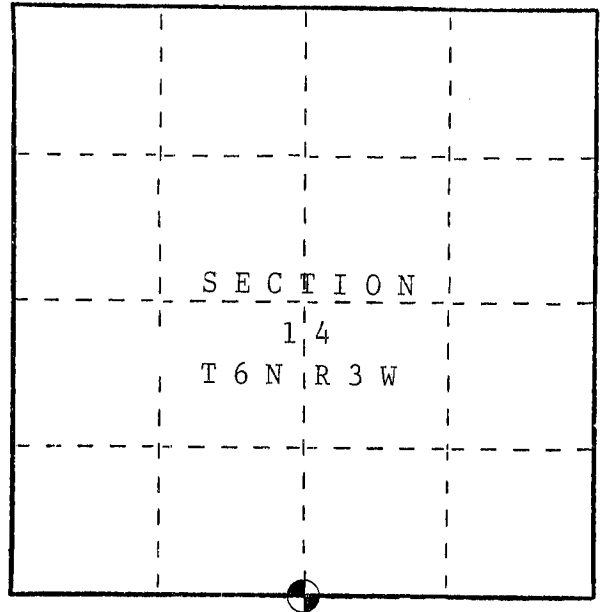
**INSTRUCTIONS :** This record shall show the location of the corner and shall include all of the following nine elements (a through i).

(a) Identify the corner by reference to the U.S. public land survey system.

○ = Corner monument restored.

South  $\frac{1}{4}$  corner of Section 14,  
Town 6 North, Range 3 West, Town of  
Mount Ida, Grant County, WI

Set  $1\frac{1}{2}$ " x 30" iron rod



(b) Describe any record evidence, monument evidence, occupational evidence, testimonial evidence or any other material evidence you considered, and whether the monument was found or placed.

Volume B, Page 83, Grant County Survey Records-Survey dated July 9, 1847 located the North  $\frac{1}{4}$  corner of Section 23.

Volume B, Page 102, Grant County Survey Records-Survey dated September 22, 1847 located the South  $\frac{1}{4}$  corner of Section 14.

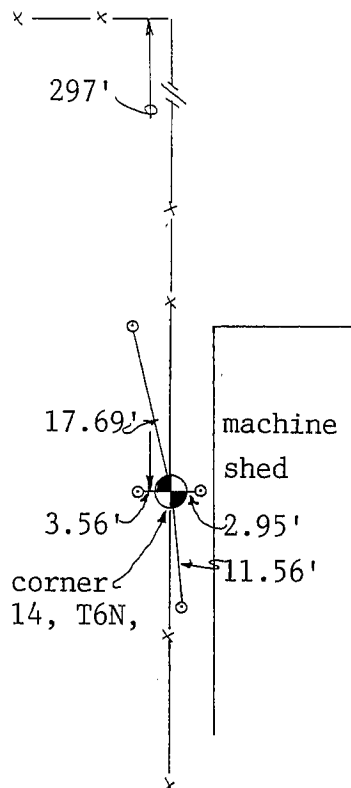
There was no evidence of this corner per the above surveys. I set this corner at record distance (297') South of a occupation fence West and in a North-South fence.

(c) In the plan view drawing below, provide reference ties to at least 4 witness monuments, or, if the location is within a municipality, to at least 2 witness monuments. (Witness monuments shall be made of concrete, natural stone, iron or other equally durable material.) Describe witness monuments.

(d) Show a plan view drawing depicting the relevant monuments and reference ties which is sufficient in detail to enable accurate relocation of the corner monument if the corner monument is disturbed. Indicate north.



Scale 1"=20'



● Set  $1\frac{1}{2}$ " x 24" Iron Rod

○ Reference ties are  $\frac{5}{8}$ " x 18" Rebars

(e) Describe any material discrepancy between the location of the corner as restored or reestablished and the location of that corner as previously restored or reestablished by distance and direction. Show the discrepancy on the plan view drawing under (d), above. Show the distances between the corner as previously restored or reestablished and (1) the corner as restored or reestablished, and (2) to at least 2 of the witness monuments shown on the drawing in (d), above.

---

(f) Was the corner restored through acceptance of (1) an obliterated evidence location, or, (2) a found perpetuated location?

---

(g&h) Was the corner reestablished through lost corner proportionate methods? If so, show the method, including the directions and distances to other public land survey corners used as evidence or used for proportioning in determining the corner location?

No.

(i) I, John M. Halverson  
(type or print name) certify that the corner location shown on this record was determined by me or under my direction and control and that this U.S. Public Land Survey Monument Record is correct and complete to the best of my knowledge and belief.

John M. Halverson  
Signature

11/13/92  
Date

