

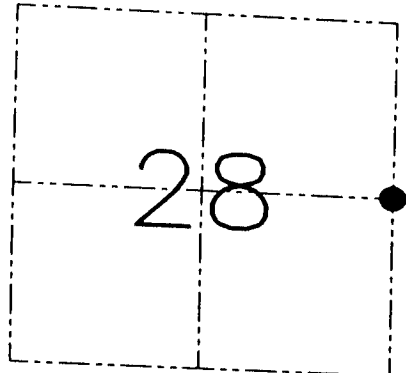
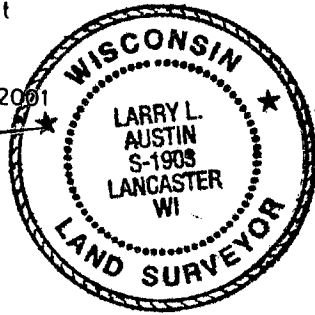
U.S. PUBLIC LAND SURVEY MONUMENT RECORD - GRANT COUNTY, WI
 Section 28, Town 5 North Range 4 West, Town of Little Grant

CERTIFICATE

I, Larry L. Austin, do hereby certify that the corner location on this record was determined by me and/or under my direct supervision and that this U.S. public land survey monument record is correct and complete to the best of my knowledge and belief.

Dated this 26th day of December, 2001

Larry L. Austin
 Larry L. Austin S-1903



● = CORNER LOCATION

HISTORY OF CORNER ESTABLISHMENT

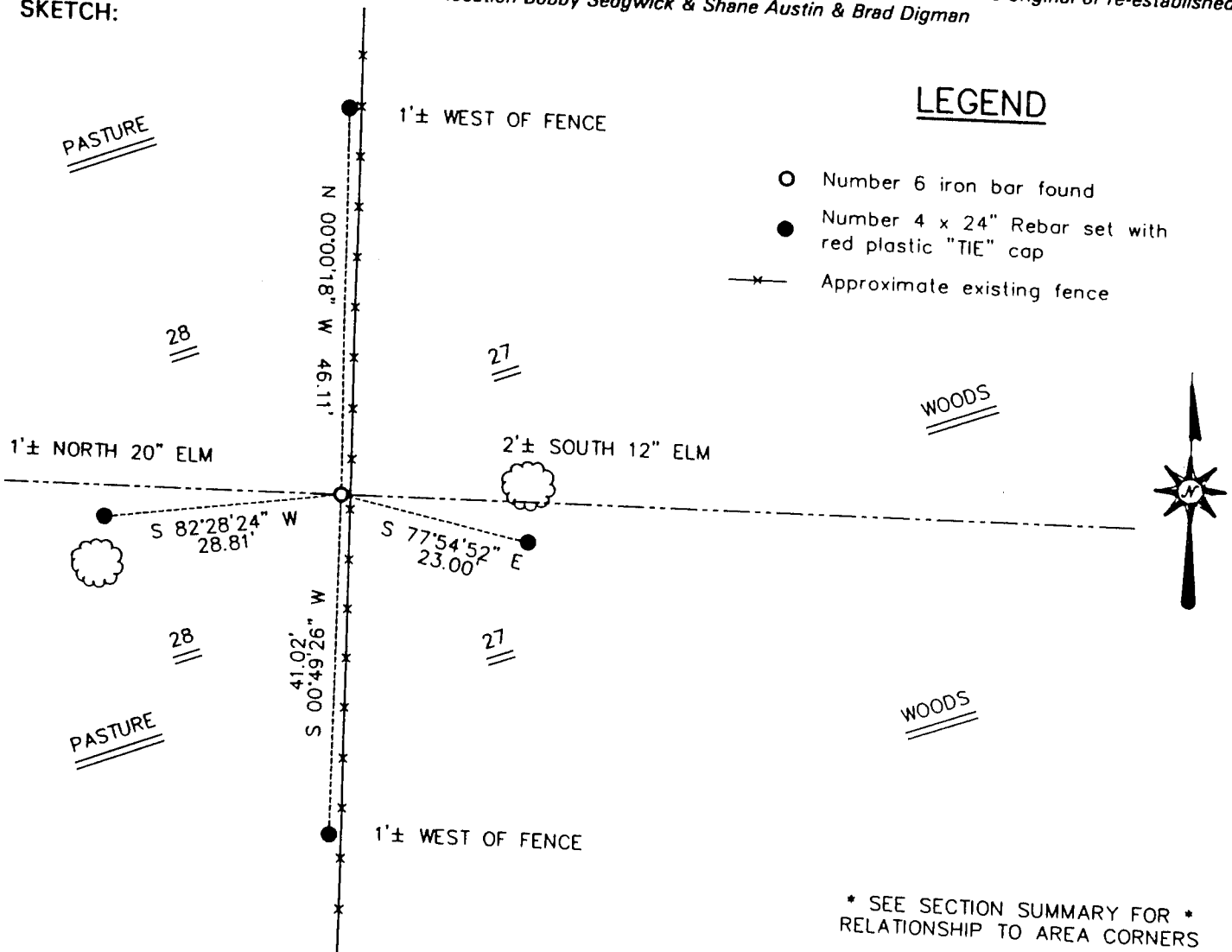
Corner was originally set in 1833 by Harvey Parke.
 In 1999 Tom Buck set a #6 iron bar.

DESCRIPTION OF CORNER EVIDENCE FOUND

I found the existing #6 iron bar and accepted it's location after an EDM & GPS traverse of the area.

DESCRIPTION OF CORNER AND WITNESS MONUMENTS, references and accessories used to perpetuate the original or re-established location of this corner. Witnesses to the corner location Bobby Sedgwick & Shane Austin & Brad Digman

SKETCH:



LEGEND

- Number 6 iron bar found
- Number 4 x 24" Rebar set with red plastic "TIE" cap
- x— Approximate existing fence

* SEE SECTION SUMMARY FOR *
 RELATIONSHIP TO AREA CORNERS

SKETCH NOT TO SCALE

AUSTIN ENGINEERING, LLC

4211 HWY 81 EAST, LANCASTER, WI 53813
 PHONE 608-723-6363 FAX 608-723-6702

FIELDBOOK: SDR33, 2119

G: \T5NR4W\28

C: \SWA\TIE\T5NR4W\97

CREW: BS-SB-SA-BD

DRAWN BY: SW AUSTIN

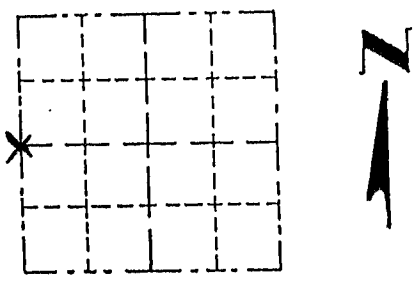
APPROVED: LL AUSTIN

CORNER NUMBER 97

Survey Monument Record

CORNER NO. _____
 SECTION 27
 TOWN 5 NORTH
 RANGE 4 WEST

TYPE OF MONUMENT 3/4" X 24"
 STATE PLANE COORDINATES: N _____
 E _____
 ELEVATION — M.S.L. DATUM: _____
 THETA ANGLE: _____
 FIELD BOOK: _____
 PAGE _____



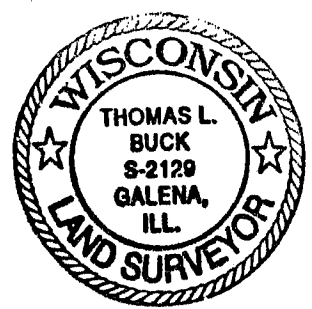
BASIS FOR MONUMENT LOCATION

(Use reverse side if necessary)
 Show info such as: History of corner, with reference to Vol. and pg., dates, surveyor; exact description of monument replaced; if location computed, by taped or EDM traverse; landowner, remarks, etc.

LOCATION
 (Indicated by "X")

- FOUND PERPETUATED LOCATION
- OBLITERATED EVIDENCE LOCATION
- LOST CORNER (RESTORED BY PROPORTIONATE METHODS)

THE MONUMENT WAS PLACED AT THE INTERSECTION OF A NORTH-SOUTH FENCE AND THE BEST FIT OF AN OLD FALLING DOWN EAST-WEST FENCE AFTER A COMPLETE SURVEY BY EDM TRAVERSE OF SECTION 27.



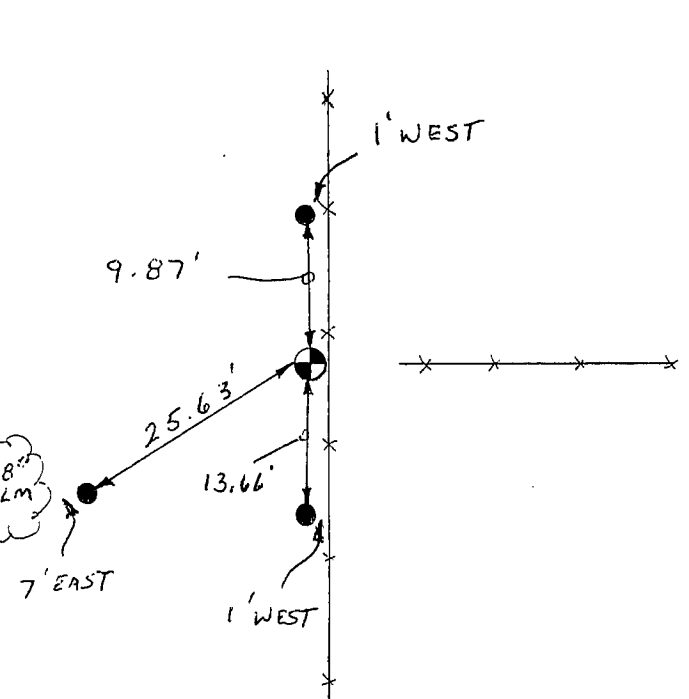
CERTIFIED CORRECT TO THE BEST OF MY KNOWLEDGE AND BELIEF

Thomas L. Buck
 Registered Land Surveyor

DATE: 5/6/99

TIE SKETCH

Show at least three (3) ties and monument



NO SCALE

- = 3/4" X 24" Iron Rod
- = 1/2" Iron Rod
- = EXISTING FENCE