

GRANT COUNTY

Survey Monument Record

REC'D JAN 29 1996

CORNER NO. 81
 SECTION 25
 TOWN 5N
 RANGE 4W

TYPE OF MONUMENT GRANT Co. Alum. Mon SET

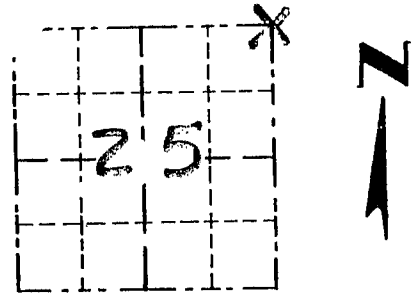
STATE PLANE COORDINATES: N _____
 E _____

ELEVATION — M.S.L. DATUM: _____

THETA ANGLE: _____

FIELD BOOK: 95-13

PAGE 34



LOCATION
 (Indicated by "X")

BASIS FOR MONUMENT LOCATION

(Use reverse side if necessary)

SEAL:

A 1/2" x 24" IRON PIPE FOUND AT THE OCCUPIED FENCE CORNER.

FOUND PIPE WAS REPLACED WITH A GRANT COUNTY ALUMINUM MONUMENT AFTER VERIFICATION BY EDM TRAVERSE OF THE AREA.

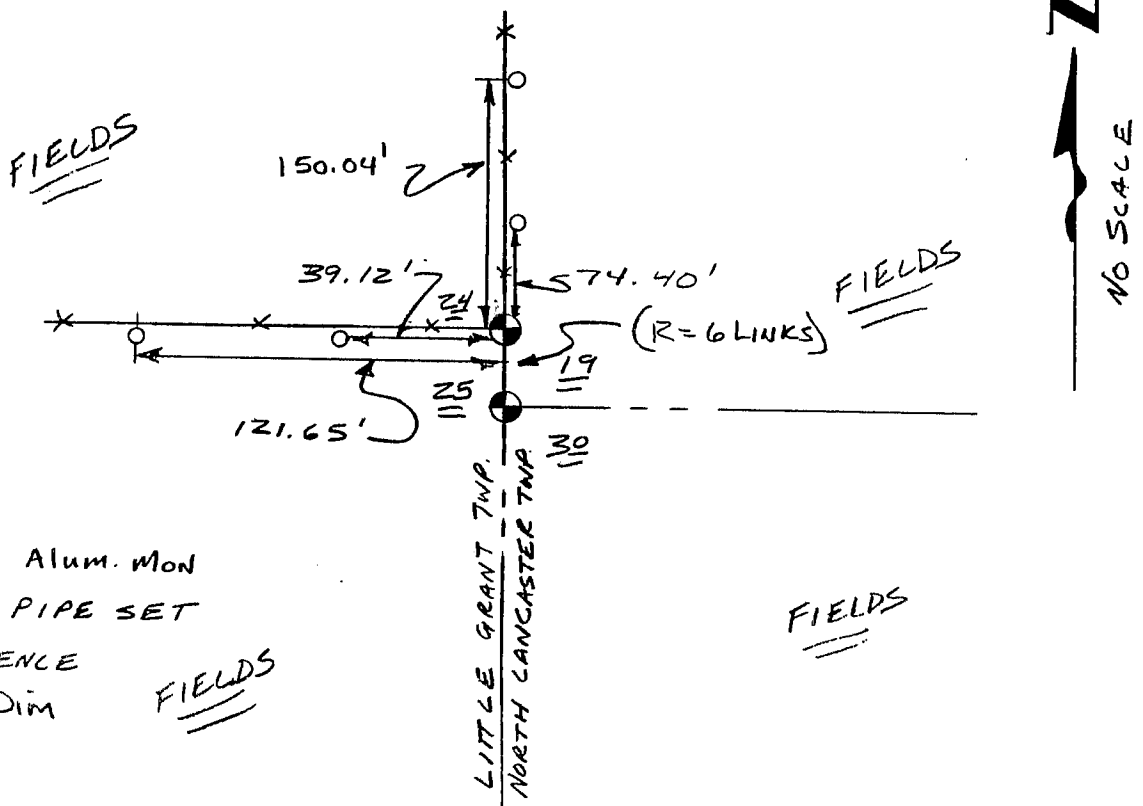
CERTIFIED CORRECT

Randy S. Gust
 Registered Land Surveyor

DATE: 1/8/96

TIE SKETCH

Show at least three (3) ties and monument



LEGEND

⊕ GRANT COUNTY Alum. Mon

o 1" x 12" IRON PIPE SET

xx STING FENCE

() RECORDED DIM

GRANT COUNTY

REC'D JAN 29 1996

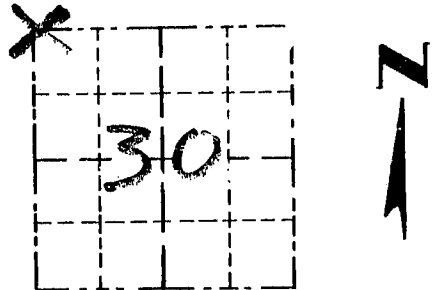
Survey Monument Record

TYPE OF MONUMENT GRANT Co. Alum. Mon. SET
 STATE PLANE COORDINATES: N _____
 E _____
 ELEVATION — M.S.L. DATUM: _____
 THETA ANGLE: _____
 FIELD BOOK: 95-13
 PAGE: (35)

CORNER NO. 93
 SECTION 30
 TOWN 511
 RANGE 3W

BASIS FOR MONUMENT LOCATION

(Use reverse side if necessary)



LOCATION
(Indicated by "X")

GRANT COUNTY MONUMENT SET
 AT RECORDED DISTANCE OF
 6 LINKS SOUTH OF NORTHEAST
 CORNER OF SEC. 25 - T5N R4W,
 AND ON THE EAST LINE OF
 SECTION 25 - T5N R4W.

SEAL:

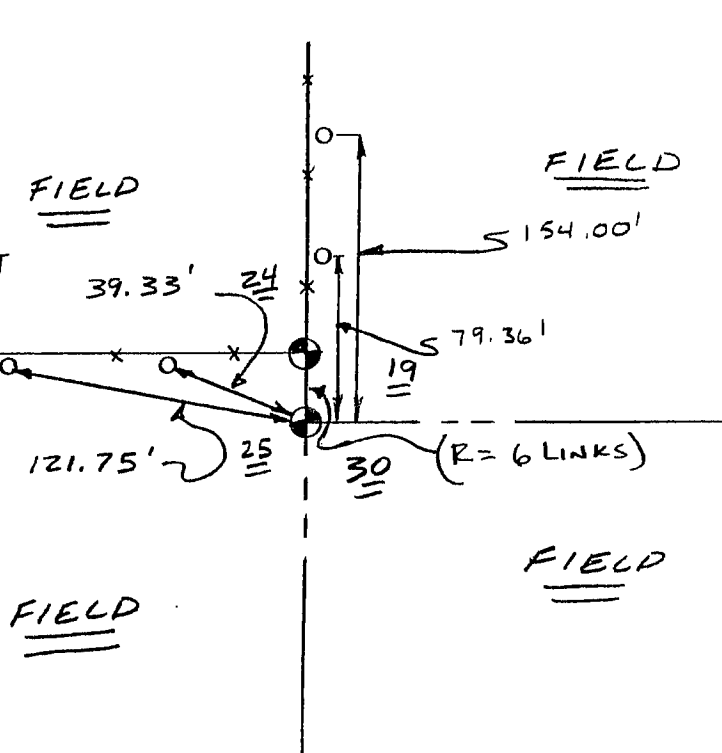
VERIFIED BY EDM TRAVERSE
 OF THE AREA.

CERTIFIED CORRECT
Randy R. Christ
 Registered Land Surveyor
 DATE: 1/8/96

TIE SKETCH

Show at least three (3) ties and monument

- LEGEND
- ⊕ GRANT Co. Alum. MonSET
 - 1" x 1/2" IRON PIPESET
 - xx EXISTING FENCE
 - () RECORDED DIM.



NO SCALE
 ↑ N