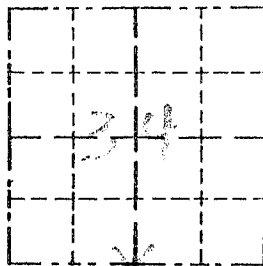


Survey Monument Record

TYPE OF MONUMENT 3/4" X 24" IRON
BAR SET

CORNER NO. 126.
SECTION 31
TOWN 11N
RANGE 300

FIELD BOOK: 96-01
PAGE (19)

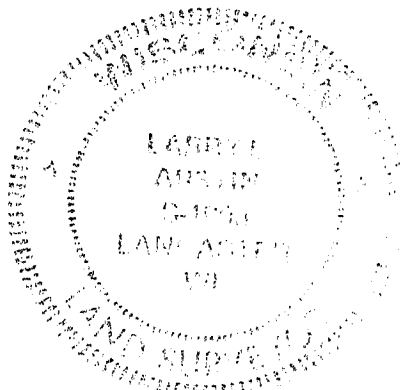


BASIS FOR MONUMENT LOCATION

(Use reverse side if necessary)

Show info such as: History of corner, with reference to Vol. and pg., dates, surveyor; exact description of monument replaced; if location computed, by taped or EDM traverse; landowner, remarks, etc.

SEAL:



CORNER SET IN 1832 BY SIBLEY NO RECORD OF CORNER FOUND SINCE ORIGINAL SURVEYS. I SET THE CORNER AT AVERAGE OF THE RECORDED OFFSETS AT THE NE CORNER AND THE NW CORNER OF SECTION 3 AS RECORDED IN 1833 BY ROBERT CLARK; I ACCEPTED E-W FENCE FOR NORTHING. VERIFIED THIS LOCATION BY FOM TRAVERSE OF THE AREA.

CERTIFIED CORRECT

[Signature]
Registered Land Surveyor

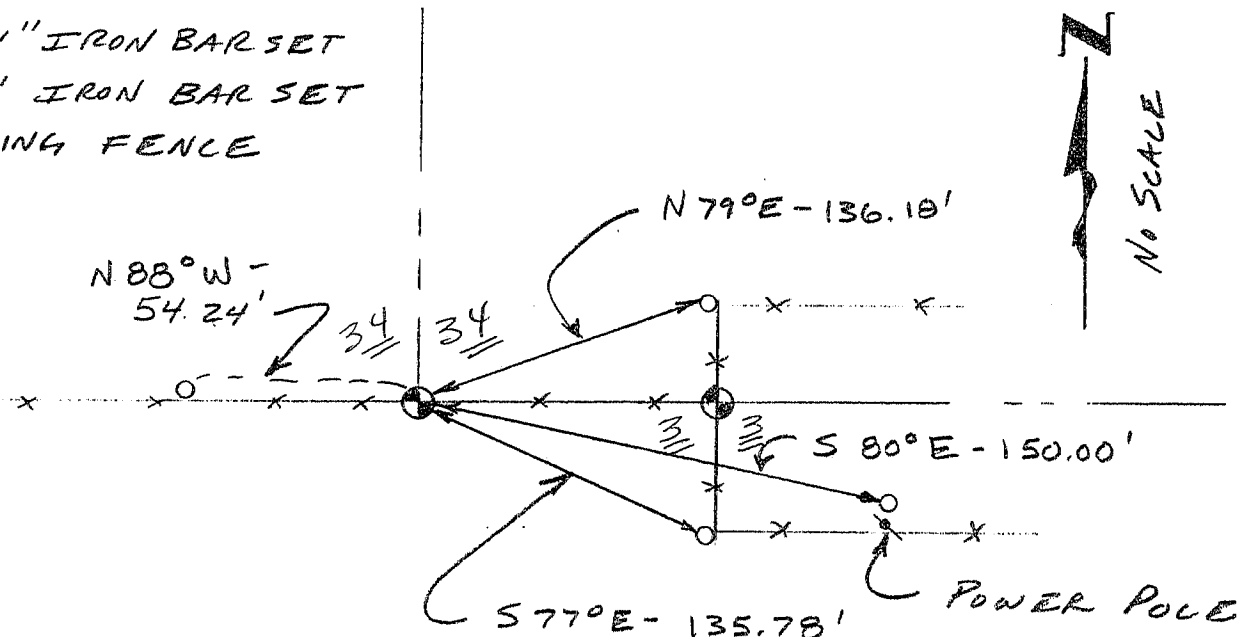
DATE: 12/20/97

TIE SKETCH

Show at least three (3) ties and monument

LEGEND

- 3/4" X 24" IRON BAR SET
- 1/2" X 15" IRON BAR SET
- XX EXISTING FENCE

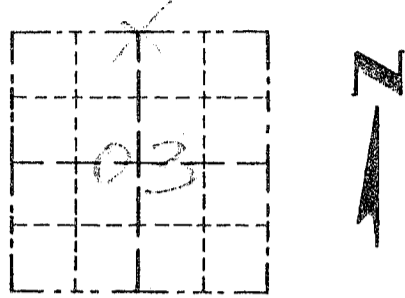


Survey Monument Record

TYPE OF MONUMENT 3/4" x 24" IRON
BAR SET

CORNER NO. 06
SECTION 03
TOWN 3N
RANGE 2W

FIELD BOOK: 96-01
PAGE (19)



BASIS FOR MONUMENT LOCATION

(Use reverse side if necessary)

Show info such as: History of corner, with reference to Vol. and pg., dates, surveyor; exact description of monument replaced; if location computed, by taped or EDM traverse; landowner, remarks, etc.

NO RECORD OF THE CORNER FOUND. I ACCEPTED OCCUPATIONAL EVIDENCE FOR EASTING OF THE CORNER & LOCATED THE CORNER ON THE SOUTH LINE OF SECTION 34. I ACCEPTED THIS AS THE CORNER LOCATION AFTER VERIFICATION BY EDM TRAVERSE OF THE AREA.

SEAL:



CERTIFIED CORRECT

Randy A. Rust
Registered Land Surveyor

DATE: 12/20/97

TIE SKETCH

Show at least three (3) ties and monument

LEGEND

- ⊕ 3/4" x 24" IRON BAR SET
- 1/2" x 15" IRON BAR SET
- ** EXISTING FENCE

