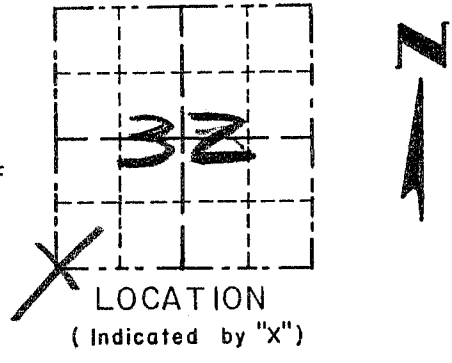


Survey Monument Record

TYPE OF MONUMENT 3/4" x 24" IRON BAR
SET

CORNER NO. 131
 SECTION 32
 TOWN 4N
 RANGE 2W

FIELD BOOK: 97-13
 PAGE (12)



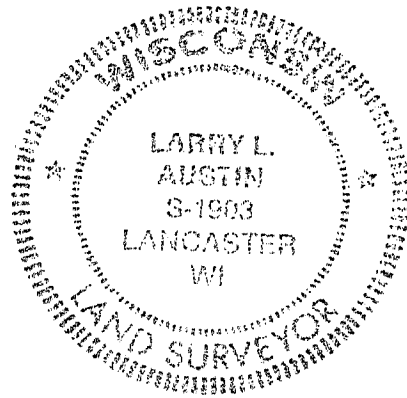
BASIS FOR MONUMENT LOCATION

(Use reverse side if necessary)

Show info such as: History of corner, with reference to Vol. and pg., dates, surveyor; exact description of monument replaced; if location computed, by taped or EDM traverse; landowner, remarks, etc.

SEAL:

CORNER WAS SET IN 1832 BY SIBLEY. I FOUND AN OCCUPIED FENCE CORNER. ACCEPTED ITS LOCATION AFTER AN EDM TRAVERSE OF AREA.



CERTIFIED CORRECT

Larry L. Austin
 Registered Land Surveyor

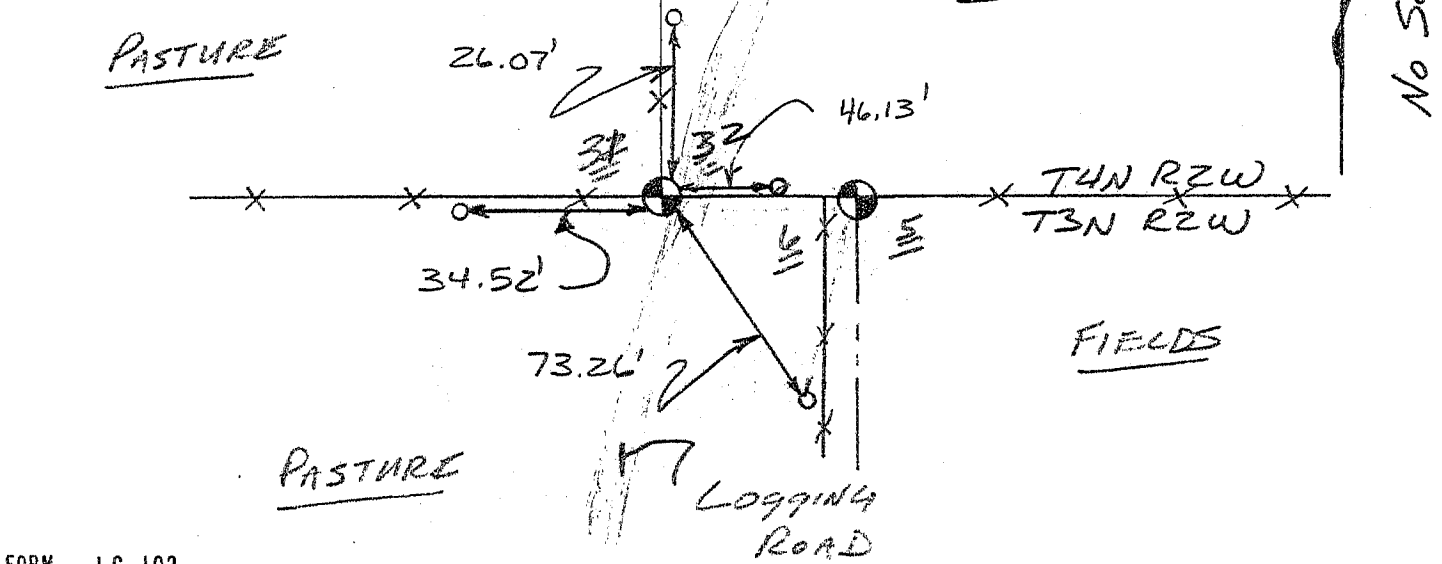
DATE: 9-12-97

TIE SKETCH

Show at least three (3) ties and monument

LEGEND

- ⊕ 3/4" x 24" IRON BAR SET
- 1/2" x 15" IRON BAR SET
- XX EXISTING FENCE

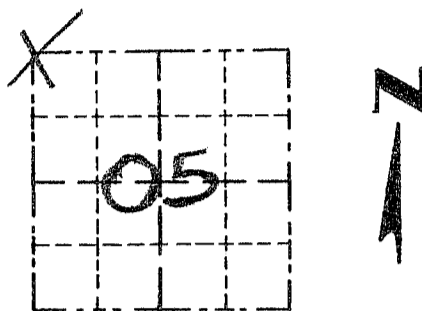


Survey Monument Record

TYPE OF MONUMENT 3/4" X 24" IRON BAR
SFT

CORNER NO. 11
 SECTION 05
 TOWN 3N
 RANGE 2W

FIELD BOOK: 97-13
 PAGE (12)



LOCATION
 (Indicated by "X")

BASIS FOR MONUMENT LOCATION

(Use reverse side if necessary)

Show info such as: History of corner, with reference to Vol. and pg., dates, surveyor; exact description of monument replaced; if location computed, by taped or EDM traverse; landowner, remarks, etc.

CORNER SET IN 1833 BY ROBERT CLARK; NO RECORD OF CORNER FOUND SINCE ORIGINAL SURVEY; BEARING TREES WERE NOT FOUND. CORNER WAS SET ON THE SOUTH LINE OF SECTION 32, T4N, R2W AT THE RECORDED OFFSET FROM THE SW CORNER OF SECTION 32. I ACCEPTED THIS AS THE LOCATION AFTER VERIFICATION BY EDM TRAVERSE.

SEAL:



CERTIFIED CORRECT

Larry L. Austin
 Registered Land Surveyor

DATE: 9-12-97

TIE SKETCH

Show at least three (3) ties and monument

LEGEND

- ⊕ 3/4" X 24" IRON BAR SET
- 1/2" X 15" IRON BAR SET
- ✕ PAINTED FENCE

