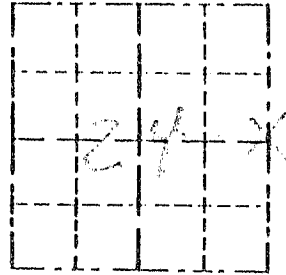


Survey Monument Record

TYPE OF MONUMENT 3/4" X 24" IRON
BAR SET

CORNER NO. 80
 SECTION 24
 TOWN 4N
 RANGE 2W

FIELD BOOK: 96-22(A)
 PAGE (26)



BASIS FOR MONUMENT LOCATION

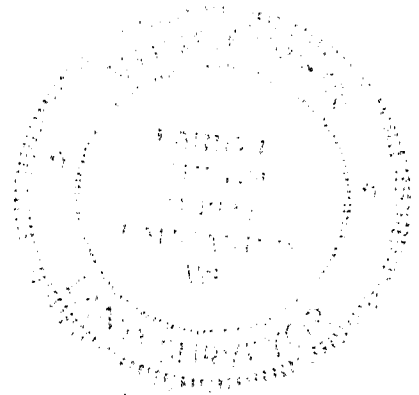
(Use reverse side if necessary)

Show info such as: History of corner, with reference to Vol and pg, dates, surveyor; exact description of monument replaced; if location computed, by taped or EDM traverse; landowner, remarks, etc.

CORNER SET IN 1832 BY SIBLEY. NO RECORD OF CORNER FOUND SINCE ORIGINAL SURVEYS; CORNER SET AT RECORDED OFFSET FROM OCCUPATION AT THE WEST 1/4 CORNER OF SEC. 19 T4N R1W. VERIFIED THIS LOCATION USING EDM METHODS.

LOCATION
 (Indicated by "X")

SEAL:



CERTIFIED CORRECT

Kary L. Aust
 Registered Land Surveyor

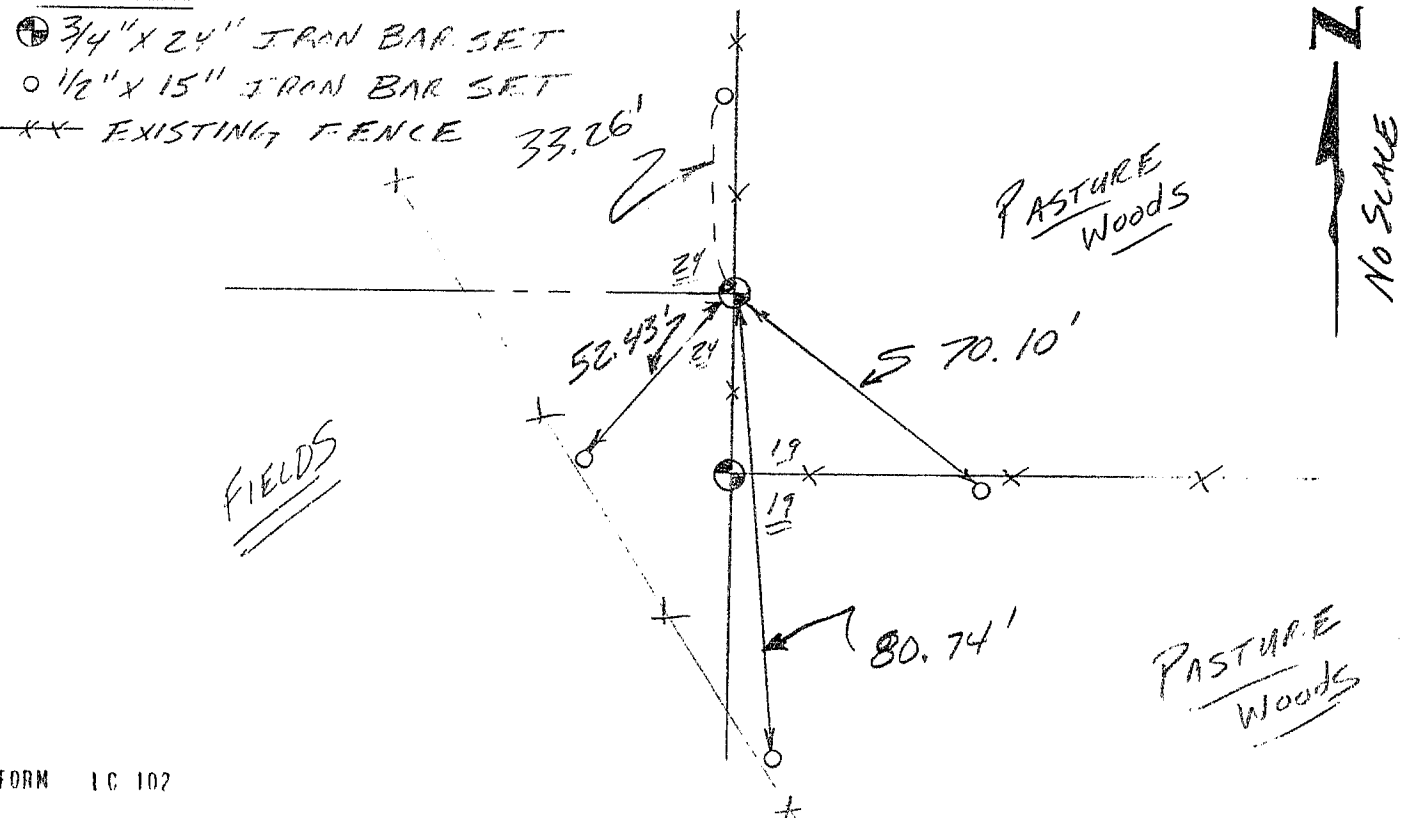
DATE: 12-14-97

TIE SKETCH

Show at least three (3) ties and monument

LEGEND

- ⊙ 3/4" X 24" IRON BAR SET
- 1/2" X 15" IRON BAR SET
- XX EXISTING FENCE

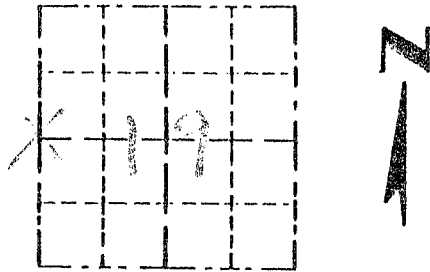


Survey Monument Record

TYPE OF MONUMENT 3/4" x 24" IRON
BAR SET

CORNER NO. 71
SECTION 24
TOWN 10N
RANGE 10W

FIELD BOOK: 96-22 (A)
PAGE 26



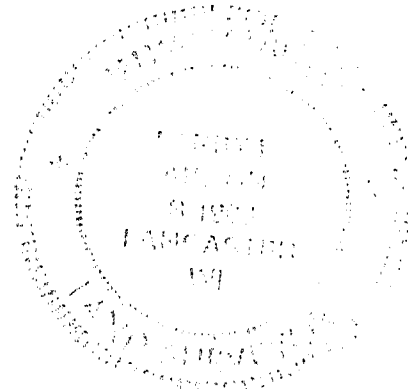
LOCATION
(Indicated by "X")

BASIS FOR MONUMENT LOCATION

(Use reverse side if necessary)

Show info such as: History of corner, with reference to Vol. and pg, dates, surveyor; exact description of monument replaced; if location computed, by taped or EDM traverse; landowner, remarks, etc.

SEAL:



NO RECORD OF CORNER FOUND SINCE ORIGINAL SURVEYS; CORNER WAS SET AT AN OCCUPIED LOCATION, AND LOCATED BETWEEN THE EAST 1/4 CORNER AND THE SOUTHEAST CORNER OF SECTION 24, T4N R2W. VERIFIED THIS LOCATION USING EDM METHODS.

CERTIFIED CORRECT

Sandy Cust
Registered Land Surveyor

DATE: 12-14-97

TIE SKETCH

Show at least three (3) ties and monument

LEGEND

- ⊕ 3/4" x 24" IRON BAR SET
- 1/2" x 15" IRON BAR SET
- x-x EXISTING FENCE

