

# U.S. PUBLIC LAND SURVEY MONUMENT RECORD - GRANT COUNTY, WI

Section 29, Town 4 North Range 1 West, Town of Lima (a)

NOTE: This form is intended and designed to fulfill all requirements of the Wisconsin Administrative Code Chapter A-E 7.08, U.S. Public Land Survey Monument Record (3) (a) (b) (c) (d) (e) (f) (g) (h) (i).

**CERTIFICATE: (i)**

I, Aaron J. Austin, Wisconsin Professional Land Surveyor, do hereby certify that the corner location on this record was determined by me and/or under my direct supervision and that this U.S. Public Land Survey Monument Record is correct and complete to the best of my knowledge and belief.

Dated this 4th day of May, 2017.

*Aaron J. Austin*  
Aaron J. Austin, S-2922



⊕ = CORNER LOCATION

Grant County Coordinates:  
NAD 83 (2011)  
Northing: 503021.13  
Easting: 873996.84

HISTORY OF CORNER ESTABLISHMENT:

Robert Clark set the original corner in 1833.  
Larry Austin reset the corner and prepared a Survey Monument Record dated 12-17-1990.

DESCRIPTION OF CORNER EVIDENCE FOUND: (b) (f) (g) (h)

I found the Railroad spike as set by Larry Austin in place. I established 4 new witness corners after I verified the corner's location with G.P.S. and E.D.M. methods

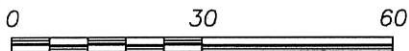
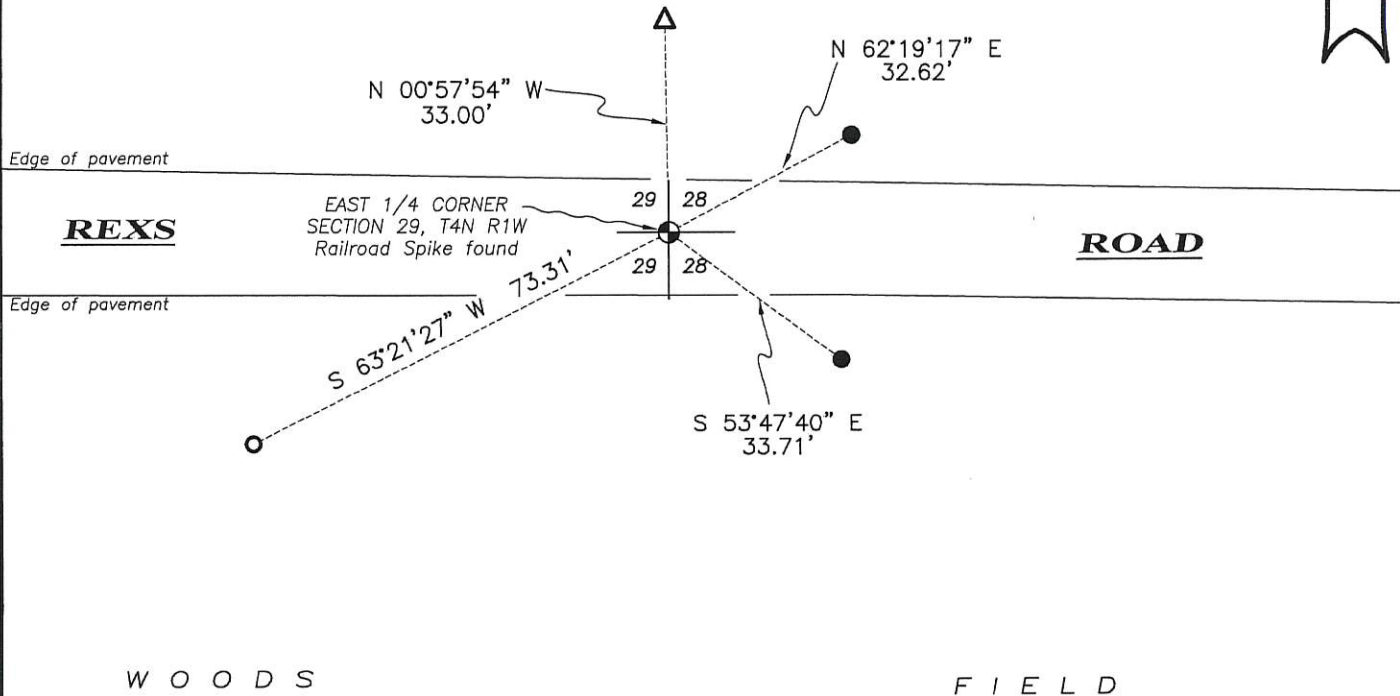
DESCRIPTION OF CORNER AND WITNESS MONUMENT: references and accessories used to perpetuate the original or re-established location of this corner. (c) (d) (e)  
Witnesses to corner location Shane Austin.

SKETCH:

## LEGEND

- ⊕ Section Corner—as designated
- 3/4" rebar found
- 3/4" x 18" rebar set
- △ 1" diameter iron pipe found

Y A R D



SCALE 1" = 30'

# U. S. PUBLIC LAND SURVEY MONUMENT RECORD

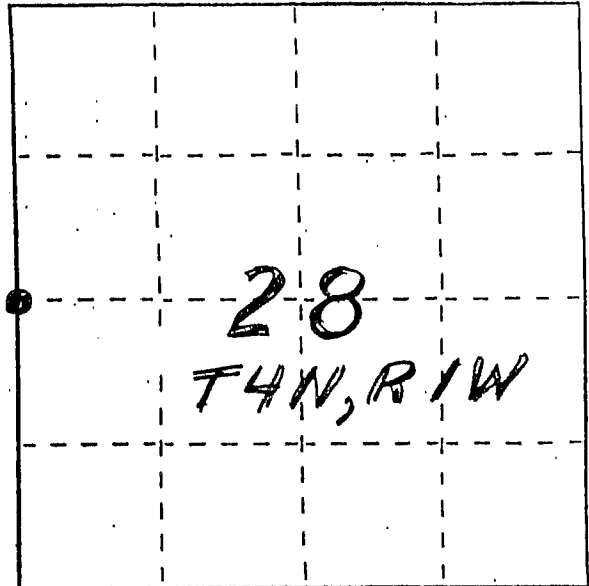
**INSTRUCTIONS:** This record shall show the location of the corner and shall include all of the following nine elements (a through i).

- (a) Identify the corner by reference to the U.S. public land survey system.  
 ● = Corner monument restored.

WEST 1/4 COR, SEC 28  
 T4N, R1W, LIMA TWP,  
 GRANT CO., WISC.

GRANT COUNTY  
CLERK  
**RECEIVED**

JUN 10 1991



- (b) Describe any record evidence, monument evidence, occupational evidence, testimonial evidence or any other material evidence you considered, and whether the monument was found or placed.

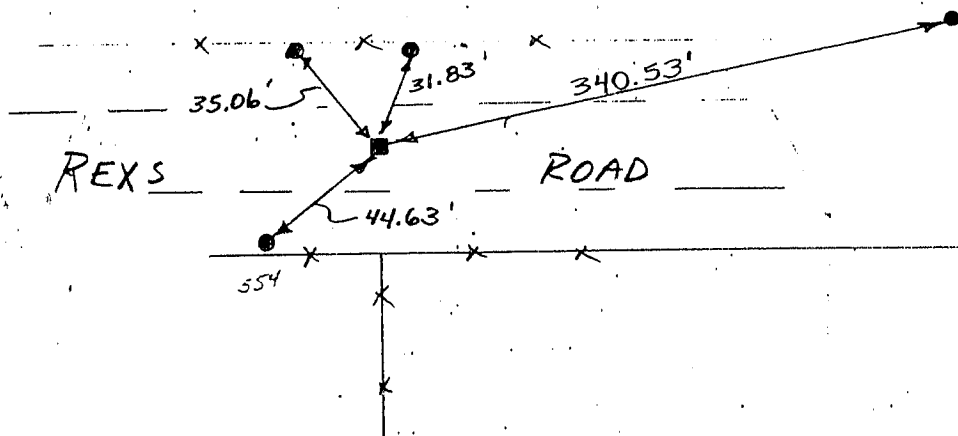
MONUMENT WAS PLACED, BASE ON OCCUPIED LOC.  
 (1/4 OF TWP, ROAD) & VERIFIED BY EDM TRAVERSE

- (c) In the plan view drawing below, provide reference ties to at least 4 witness monuments, or, if the location is within a municipality, to at least 2 witness monuments. (Witness monuments shall be made of concrete, natural stone, iron or other equally durable material.) Describe witness monuments.

- (d) Show a plan view drawing depicting the relevant monuments and reference ties which is sufficient in detail to enable accurate relocation of the corner monument if the corner monument is disturbed. Indicate north.

LEGEND

- RR SPIKE SET 2" UNDER RDWAY SURFACE = 1/4 CORNER
- 3/8" X 10" SPIKE = TIE
- X X --- EXIST. FENCES



SCALE: NONE

(e) Describe any material discrepancy between the location of the corner as restored or reestablished and the location of that corner as previously restored or reestablished by distance and direction. Show the discrepancy on the plan view drawing under (d), above. Show the distances between the corner as previously restored or reestablished and (1) the corner as restored or reestablished, and (2) to at least 2 of the witness monuments shown on the drawing in (d), above.

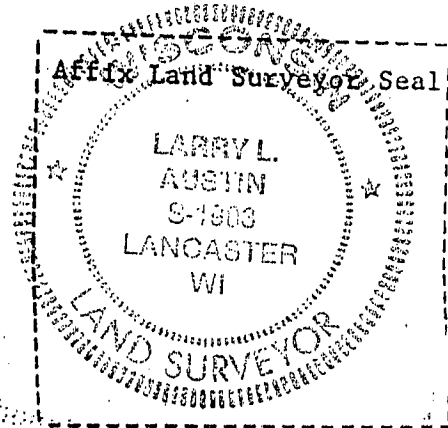
None

(f) Was the corner restored through acceptance of (1) an obliterated evidence location, or, (2) a found perpetuated location?

FOUND LOCATION (ON N-S FENCELINE  $\frac{1}{2}$   $\frac{1}{2}$  ROAD)

(g&h) Was the corner reestablished through lost corner proportionate methods? If so, show the method, including the directions and distances to other public land survey corners used as evidence or used for proportioning in determining the corner location?

No



(i) I, LARRY AUSTIN  
do hereby certify that the corner location shown on this record was determined by me or under my direction and control and that this U.S. Public Land Survey Monument Record is correct and complete to the best of my knowledge and belief.

Larry L. Austin 12-17-90