

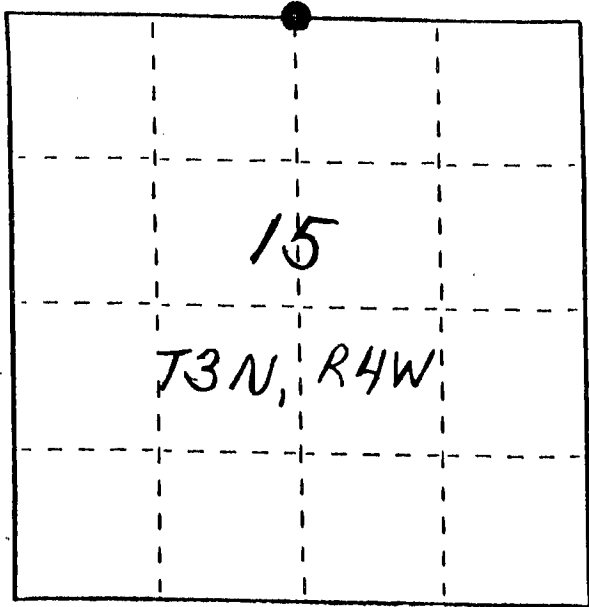
U. S. PUBLIC LAND SURVEY MONUMENT RECORD

INSTRUCTIONS: This record shall show the location of the corner and shall include all of the following nine elements (a through i).

(a) Identify the corner by reference to the U.S. public land survey system.

O = Corner monument restored.

N 1/4 CORNER SEC. 15
T3N, R4W. WATERLOO
TWP., GRANT CO., WI



(b) Describe any record evidence, monument evidence, occupational evidence, testimonial evidence or any other material evidence you considered, and whether the monument was found or placed.

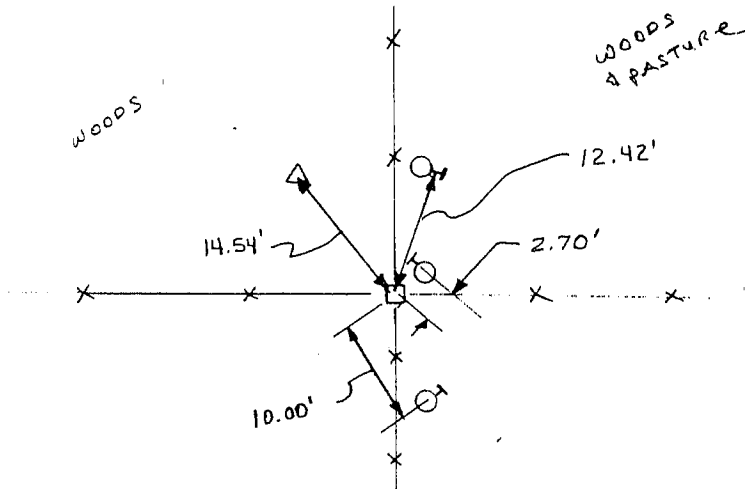
MONUMENT WAS PLACED BASED ON OCCUPATIONAL & ORAL TESTIMONY
& VERIFIED BY EDM TRAVERSE

(c) In the plan view drawing below, provide reference ties to at least 4 witness monuments, or, if the location is within a municipality, to at least 2 witness monuments. (Witness monuments shall be made of concrete, natural stone, iron or other equally durable material, except wood.) Describe witness monuments.

(d) Show a plan view drawing depicting the relevant monuments and reference ties which is sufficient in detail to enable accurate relocation of the corner monument if the corner monument is disturbed. Indicate north.

No SCALE
GRANT COUNTY CLERK
RECEIVED

SEP 20 1990



LEGEND

- X—X— EXIST. FENCE
- ▽ RR SPIKE TIE
- = POWER POLE WITH 60p SPIKE (SPIKE = TIE)
- = 7/8" x 24" ROUND REBAR SET = 1/4 CORNER

(e) Describe any material discrepancy between the location of the corner as restored or reestablished and the location of that corner as previously restored or reestablished by distance and direction. Show the discrepancy on the plan view drawing under (d), above. Show the distances between the corner as previously restored or reestablished and (1) the corner as restored or reestablished and (2) to at least 2 of the witness monuments shown on the drawing in (d), above.

NONE

(f) Was the corner restored through acceptance of (1) an obliterated evidence location, or, (2) a found perpetuated location?

(2) FOUND PERPETUATED LOCATION

(g&h) Was the corner reestablished through lost corner proportionate methods? If so, show the method, including the directions and distances to other public land survey corners used as evidence or used for proportioning in determining the corner location?

NO.

(1) I, LARRY L. AUSTIN
(type or print name) certify that the corner location shown on this record was determined by me or under my direction and control and that this U.S. Public Land Survey Monument Record is correct and complete to the best of my knowledge and belief.

Larry L. Austin
Signature

2-1-90
Date

