

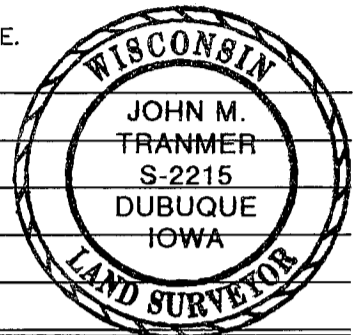
UNITED STATES PUBLIC LAND SURVEY CORNER CERTIFICATE OF

LAND SURVEY MONUMENTS SITUATED IN SECTION 12, TOWNSHIP 3 NORTH, RANGE 2 WEST
 OF THE FIFTH PRINCIPAL MERIDIAN, GRANT COUNTY, WISCONSIN.
 PREVIOUSLY RECORDED IN _____ IN COUNTY RECORDER'S OFFICE.

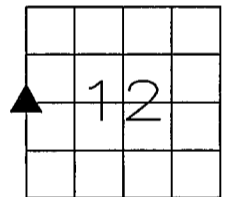
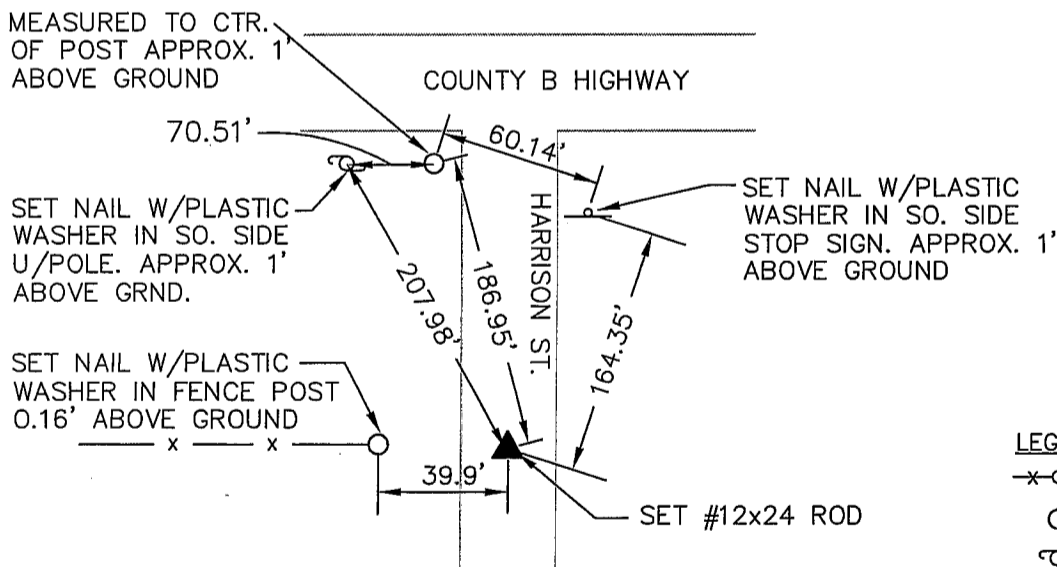
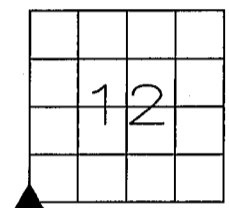
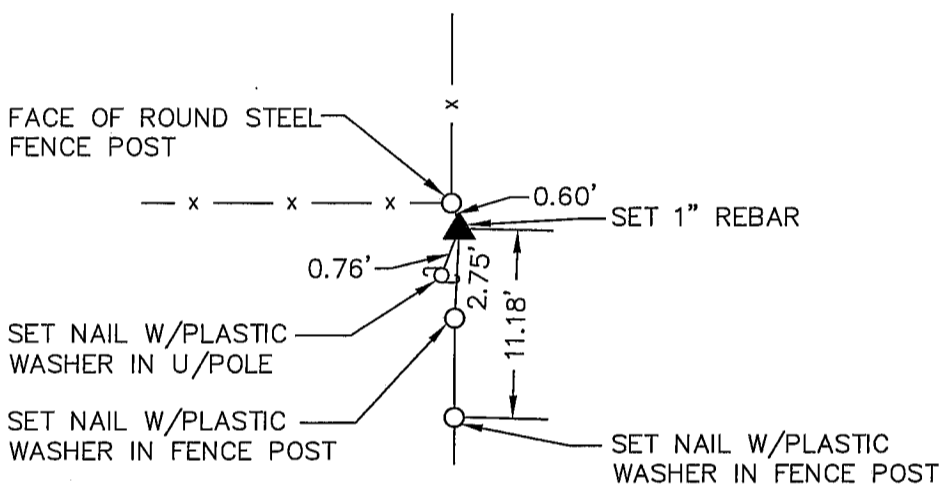
MONUMENT DESCRIPTION AND REMARKS:

S.W. CORNER SECTION 12, T3N, R2W - SET 1" REBAR

W 1/4 CORNER SECTION 12, T3N, R2W - SET #12x24 ROD



PLAN - VIEW



LEGEND

- x-o-x- FENCE LINE, FENCE POST
- SET MONUMENT AS NOTED
- ⊕ UTILITY POLE

I HEREBY CERTIFY THAT THE SURVEY WORK WAS COMPLETED AND THIS CERTIFICATE WAS PREPARED BY ME OR UNDER MY DIRECT PERSONAL SUPERVISION AND THAT I AM A DULY REGISTERED LAND SURVEYOR UNDER THE LAWS OF THE STATE OF WISCONSIN.

John M. Tranmer
 JOHN M. TRANMER, REG. NO. S-2215
 DATE: 9/15/04
 MY REGISTRATION EXPIRES JAN 31, 2006

LIST CORNERS TO BE INDEXED

CORNERS	SECTION	TWP	RANGE
SW COR.	12	T3N	R2W
W 1/4	12	T3N	R2W



IIW ENGINEERS & SURVEYORS, P.C.

DUBUQUE, IOWA HAZEL GREEN, WISCONSIN
 4155 PENNSYLVANIA AVE. DUBUQUE, IA 52002 (563) 556-2464

MONUMENT RECORD

COUNTY: GRANT
 TOWNSHIP: HARRISON

DATE: 4-8-04
 REVISED:

FIELD BOOK NO. 412

PROJ. NO. 03787

INDEX NO. 43