

# GRANT COUNTY

## Survey Monument Record

TYPE OF MONUMENT 3/4" x 24" IRON ROD SET

STATE PLANE COORDINATES: N W/ CAP  
E \_\_\_\_\_

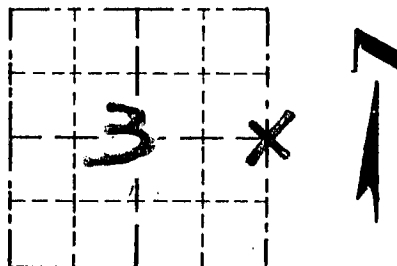
ELEVATION — M.S.L. DATUM: \_\_\_\_\_

THETA ANGLE: \_\_\_\_\_

FIELD BOOK: 96-04

PAGE \_\_\_\_\_

CORNER NO. 18  
SECTION 3  
TOWN 2N  
RANGE 1W



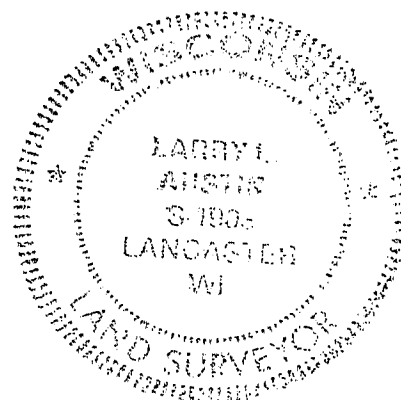
LOCATION  
(Indicated by "X")

### BASIS FOR MONUMENT LOCATION

(Use reverse side if necessary)

NO RECORD FOUND SINCE ORIGINAL SURVEY IN 1832 BY LYON. I ACCEPTED OCCUPATION LOCATION & VERIFIED IT 1/2 MILE NORTH & 1/2 MILE SOUTH, BY AN EDM TRAVERSE OF THE AREA.

SEAL:



CERTIFIED CORRECT

*Larry L. Austin*  
Registered Land Surveyor

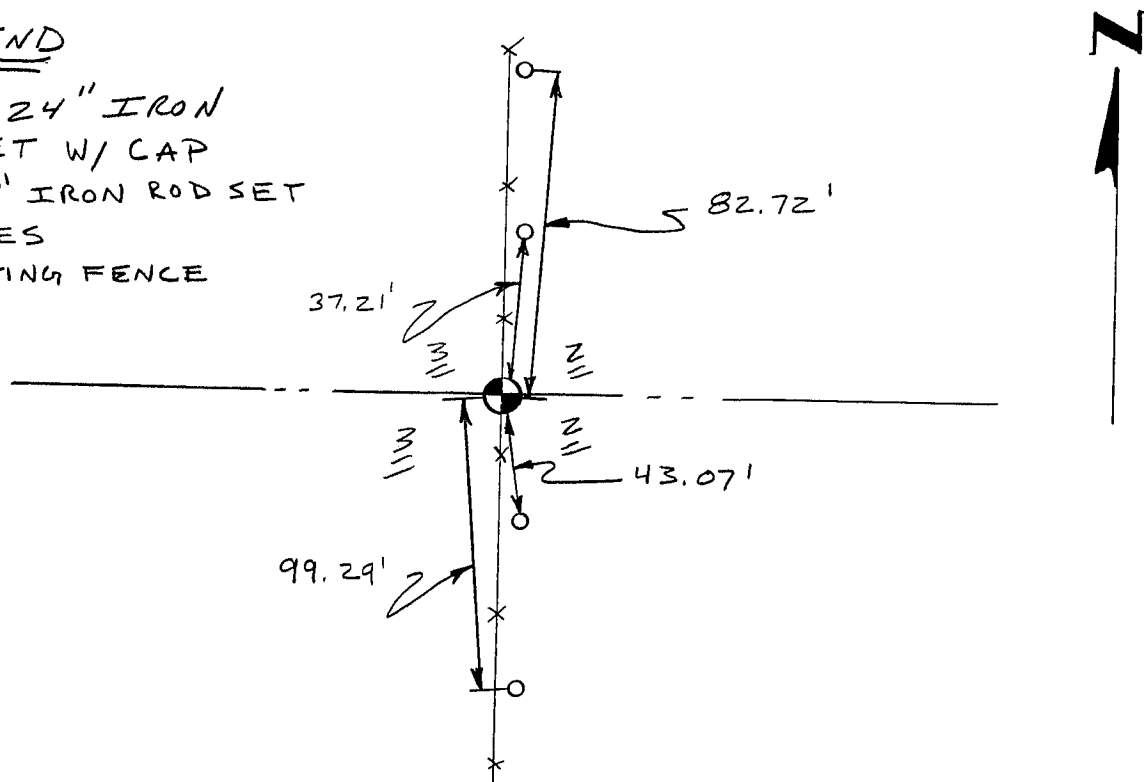
DATE: 5-7-96

### TIE SKETCH

Show at least three (3) ties and monument

#### LEGEND

- ⊙ 3/4" x 24" IRON BAR SET W/ CAP
- 1/2" x 15" IRON ROD SET AS TIES
- XX EXISTING FENCE



No SCALE