

REC'D AUG 24 1994

73026

# GOVERNMENT CORNER RECORD

North 1/4 CORNER, SECTION 10, TOWNSHIP 7 NORTH, RANGE 3 ~~XXX~~ WEST,  
TOWN, ~~CITY OR VILLAGE~~ OF Marion  
TYPE OF MONUMENT: 3/4" x 24" Iron rod set ELEVATION - M.S.L. DATUM \_\_\_\_\_

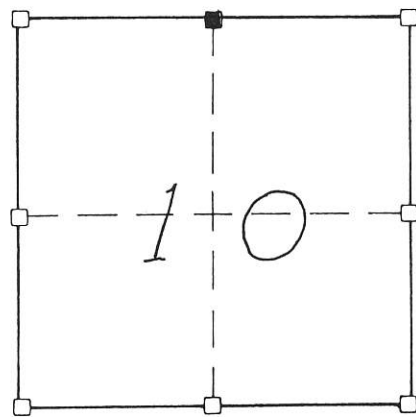
WITNESSES TO CORNER LOCATION

Sean M. Walsh

Ryan Keegan

SECTION 10, T 7 N, R 3 ~~EW~~

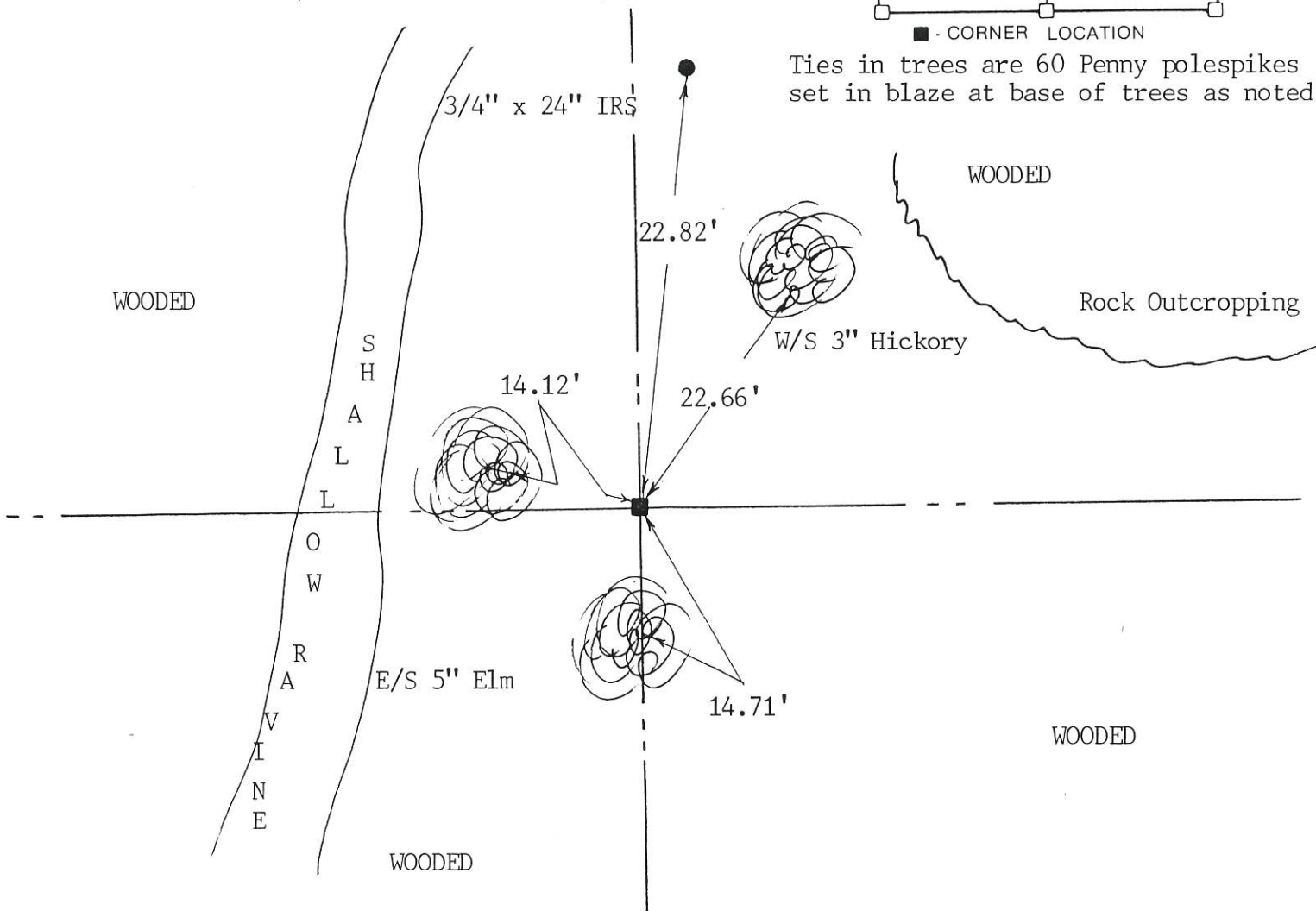
TOWN OF Marion



■ - CORNER LOCATION

Ties in trees are 60 Penny polespikes set in blaze at base of trees as noted.

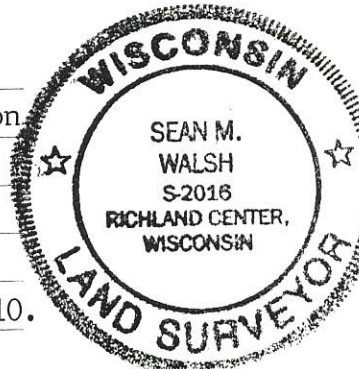
TIE SKETCH  
(SHOW ALL HELPFUL FEATURES)



SURVEYOR'S CERTIFICATE

SEAL S- 2016

I, Sean M. Walsh, DO HEREBY CERTIFY THAT I have monumented and perpetuated this corner as shown hereon and that this information is correct and true to the best of my information, knowledge and belief. This location was determined by the proportionate projection of occupied forty corners from previously monumented Northwest corner of Section 10 and the Northeast corner of Section 10.



DATED THIS 7 DAY OF Aug, 1994

*Sean M. Walsh*  
REGISTERED LAND SURVEYOR

26