

U.S. PUBLIC LAND SURVEY MONUMENT RECORD - GRANT COUNTY, WI

Section 2, Town 7 North Range 2 West, Town of Hickory Grove (a)

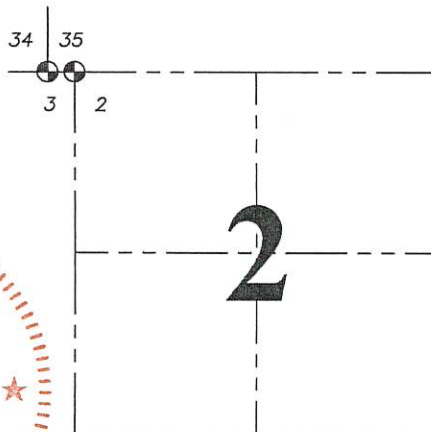
NOTE: This form is intended and designed to fulfill all requirements of the Wisconsin Administrative Code Chapter A-E 7.08, U.S. Public Land Survey Monument Record (3) (a) (b) (c) (d) (e) (f) (g) (h) (i).

CERTIFICATE: (i)

I, Aaron J. Austin, Wisconsin Professional Land Surveyor, do hereby certify that the corner location on this record was determined by me and/or under my direct supervision and that this U.S. Public Land Survey Monument Record is correct and complete to the best of my knowledge and belief.

Dated this 25th day of August, 2020.

Aaron J. Austin
 Aaron J. Austin, S-2922



⊕ = CORNER LOCATION

Grant County Coordinates:
 NAD 83 (2011)
 Northing: 622,496.13
 Easting: 851,923.86

HISTORY OF CORNER ESTABLISHMENT:

Original corner was set in 1833 by Harvey Parke. Richard Marks set a 3/4" Rebar at the Northwest Corner of Section 2, T7NR2W and the Southwest Corner Section 35, T8NR2W and he prepared a Survey Monument Record dated 12/24/1991.

DESCRIPTION OF CORNER EVIDENCE FOUND: (b) (f) (g) (h)

I accepted Mark's location and established four witness corners. I verified the Monument's location with G.P.S. and E.D.M. methods.

DESCRIPTION OF CORNER AND WITNESS MONUMENTS, references and accessories used to perpetuate the original or re-established location of this corner. (c) (d) (e)

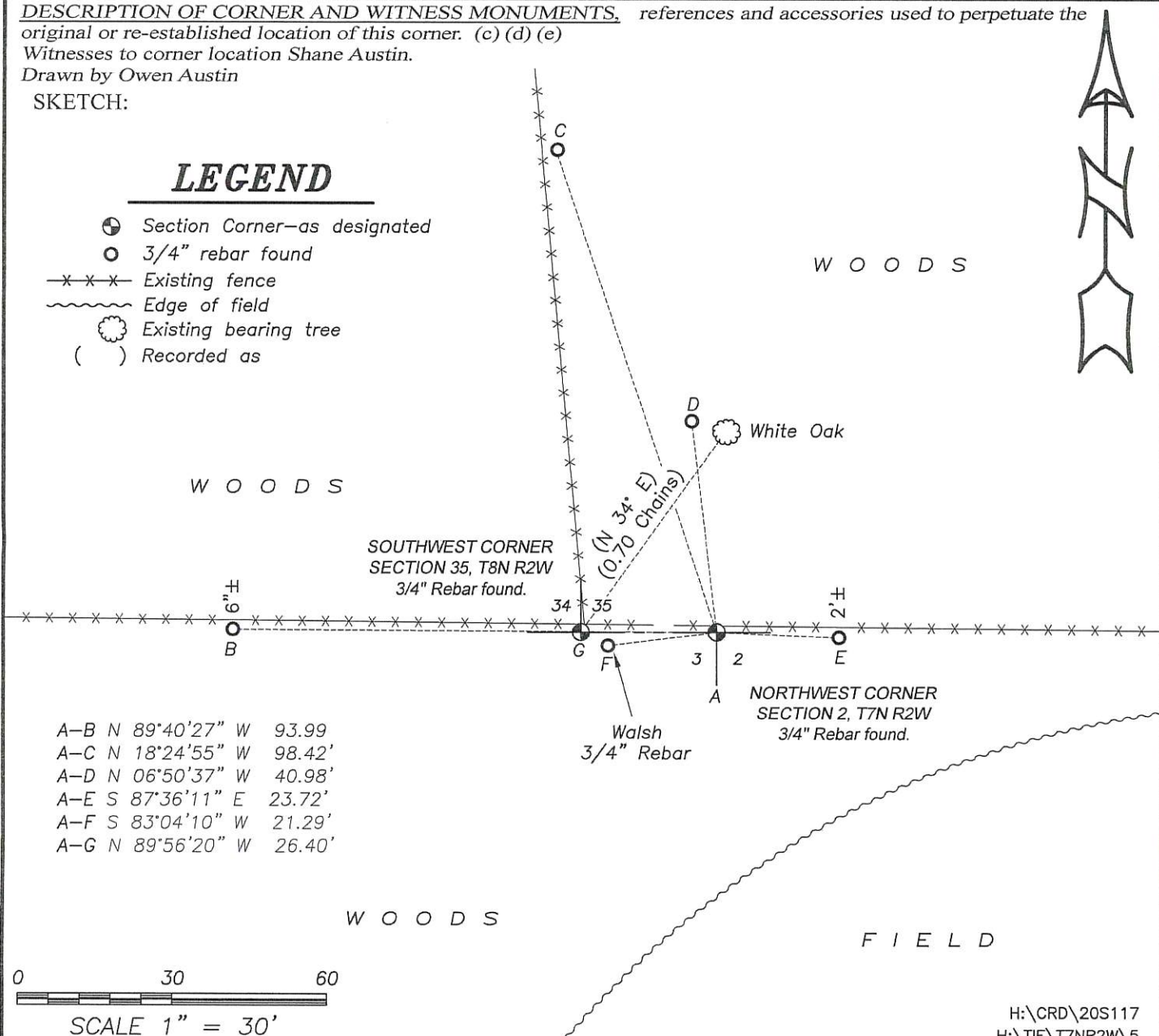
Witnesses to corner location Shane Austin.

Drawn by Owen Austin

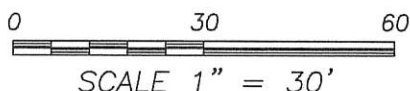
SKETCH:

LEGEND

- ⊕ Section Corner—as designated
- 3/4" rebar found
- x-x-x- Existing fence
- ~~~~~ Edge of field
- ☼ Existing bearing tree
- () Recorded as



A-B	N 89°40'27"	W 93.99
A-C	N 18°24'55"	W 98.42'
A-D	N 06°50'37"	W 40.98'
A-E	S 87°36'11"	E 23.72'
A-F	S 83°04'10"	W 21.29'
A-G	N 89°56'20"	W 26.40'



U.S. PUBLIC LAND SURVEY MONUMENT RECORD

Note: This form is intended and designed to fulfill all requirements of Wisconsin Administrative Code, Chapter A-E 5.02, U.S. Public Land Survey Monument Record (3) (a) (b) (c) (d) (e) (f) (g) (h) (i). An additional sheet may be added if necessary to conform with said requirements.

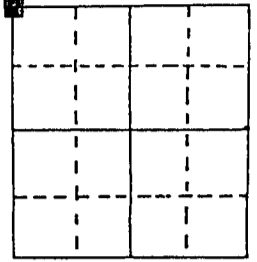
(a) Corner location: Township 2 North

Range 2 East/West

Town/City/Village Hickory Grove

DEC 30 1991

County Grant

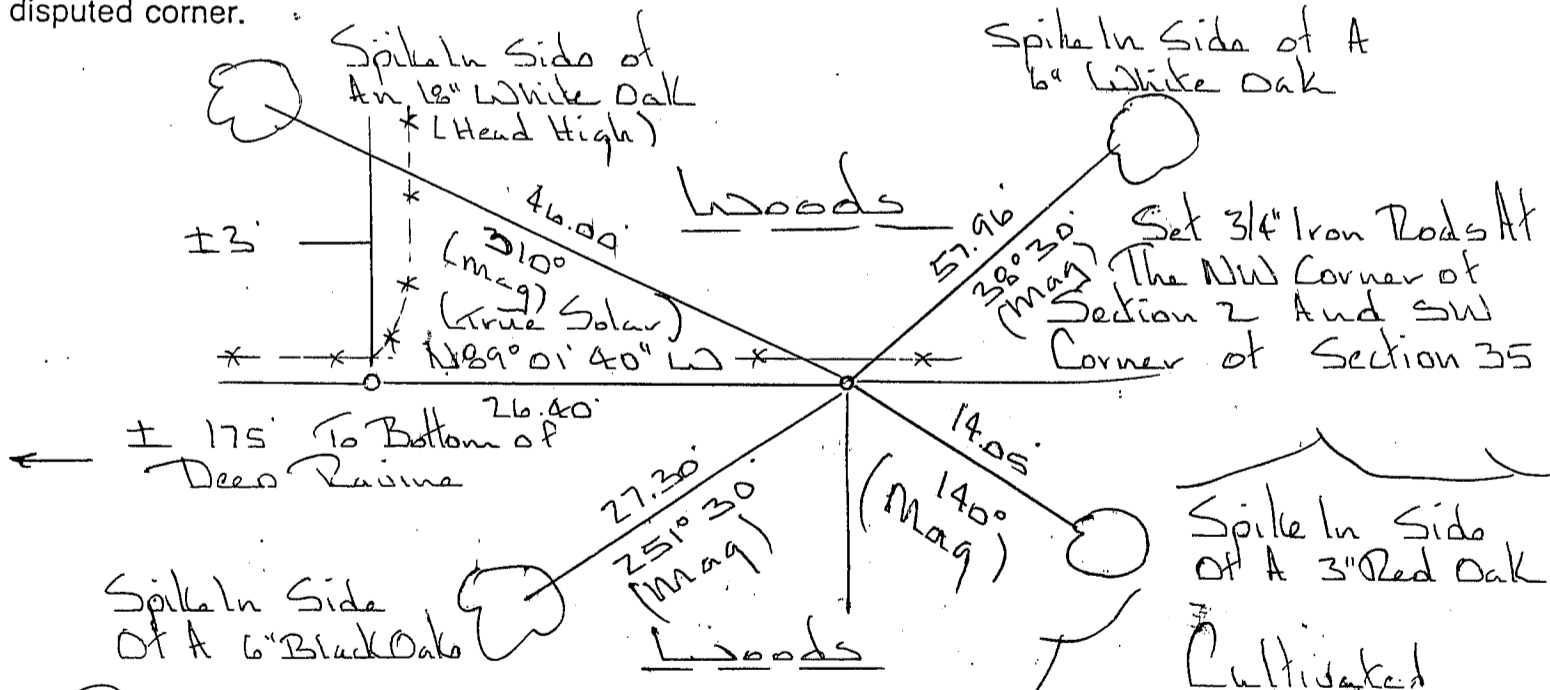


Section 2

(b) (f) (g) (h) Description of monument found at this corner and if it was accepted, state all evidence (material, testimonial, occupational, plats, records, other monuments) used as a basis for accepting. If not accepted or if nothing was found, state evidence used as basis for establishing location. If reestablished through lost corner proportionate methods, indicate all monuments, distances and directions used to establish.

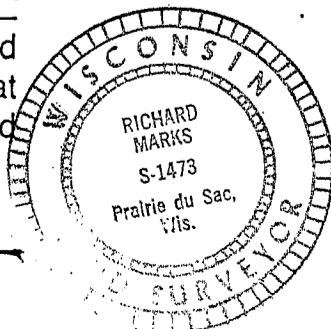
Set Corner 26.4' (Closing Distance) From The Southwest Corner of Section 35. T8N. R2W. The Southwest Corner of Section 35 Was Re-established From The Original White Oak Bearing Tree N34°E. 46.0' Still Standing But Hollow.

(c) (d) (e) Plan view of corner with ties to at least 4 witness monuments. If in disagreement with previously established corner, show the distances between the two corners and also indicate the ties to the disputed corner.



(i) Richard Marks

(type or print name) certify that the corner location on this record was determined by me or under my direction and control and that this U.S. Public Land Survey Monument Record is correct and complete to the best of my knowledge and belief.



Affix seal here

[Signature]

12/24/1991

Signature

Date