

U.S. PUBLIC LAND SURVEY MONUMENT RECORD - GRANT COUNTY, WI

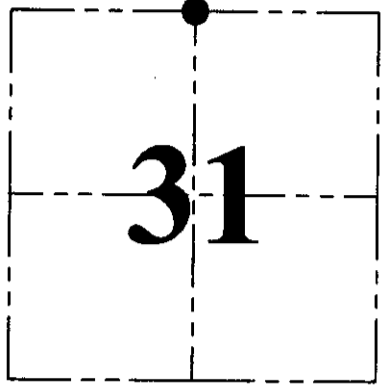
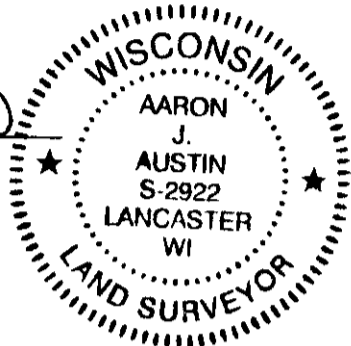
Section 31, Town 6 North Range 3 West, Town of Mount Ida

CERTIFICATE:

I, Aaron J. Austin, Wisconsin Professional Land Surveyor, do hereby certify that the corner location on this record was determined by me and/or under my direct supervision and that this U.S. Public Land Survey Monument Record is correct and complete to the best of my knowledge and belief.

Dated this 8th day of July, 2015.

Aaron J. Austin
 Aaron J. Austin, S-2922



● = CORNER LOCATION

HISTORY OF CORNER ESTABLISHMENT:

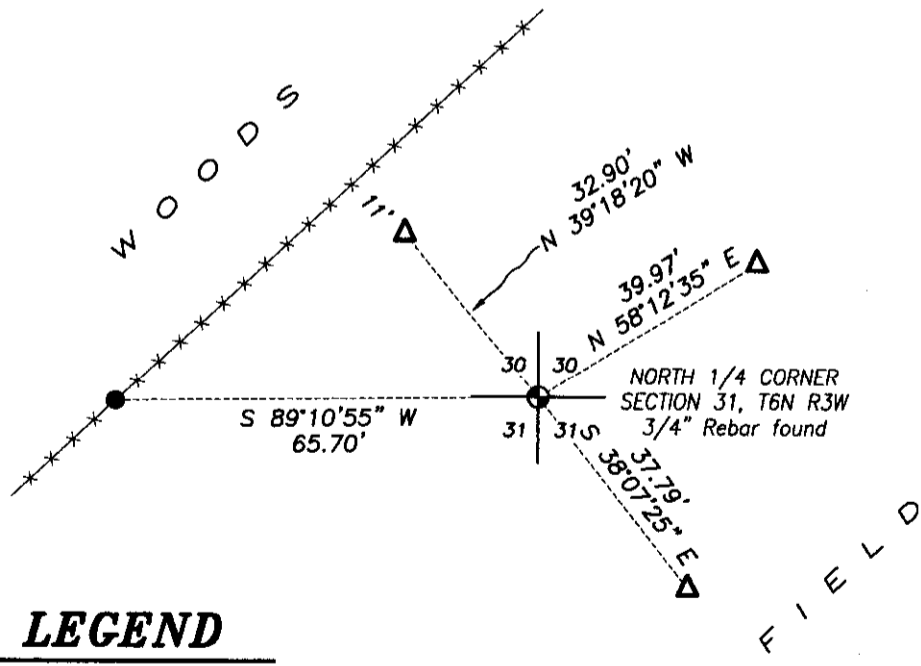
- 1833-Harvey Parke set original corner.
- 1853-John Clark tied to the corner on a Survey filed in Book C, Page 33.
- 1994-Sean Walsh tied to the corner on a Survey filed in Book T, Page 113.
- 1994-Sean Walsh prepared a Government Corner Record for this corner.
- 2003-Larry Austin tied to the corner on a Survey filed in Book 14, Page 45.
- 2004-Larry Austin tied to the corner on a Survey filed in Book 15, Page 58.
- 2005-Larry Austin tied to the corner on a Survey filed in Book 17, Page 7.
- 2005-Larry Austin tied to the corner on a Survey filed in Book 18, Page 11.

DESCRIPTION OF CORNER EVIDENCE FOUND:

I found a 3/4" rebar in place at the corner location. I was unable to recover one witness corner and set a new one as shown hereon. I verified this corner location with E.D.M. and G.P.S. methods.

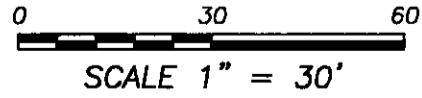
DESCRIPTION OF CORNER AND WITNESS MONUMENTS, references and accessories used to perpetuate the original or re-established location of this corner. Witnesses to corner location Shane Austin and Brandon Austin.

SKETCH:



LEGEND

- Section Corner—as designated
- 1/2"x12" rebar set with red "tie" cap
- △ 1" diameter iron pipe found
- x-x- Existing fence



Austin Engineering LLC
 austinengineeringllc.com
 4211 HWY 81 E, LANCASTER, WI 53813
 PHONE: 608-723-6363 FAX: 608-723-6702

JOB NO: 15s079
 H:\CRD\15s079
 H:\TIE\T6NR3W\112

FIELDBOOK: TDSR
 DRAWN BY: AJ AUSTIN
 CREW: SW AUSTIN, BL AUSTIN

GOVERNMENT CORNER RECORD

S 1/4 CORNER, SECTION 30, TOWNSHIP 6 NORTH, RANGE 3 EAST - WEST,
 TOWN, CITY OR VILLAGE OF Mt. Ida
 TYPE OF MONUMENT: 3/4" X 24" Iron Rod Set ELEVATION - M.S.L. DATUM _____

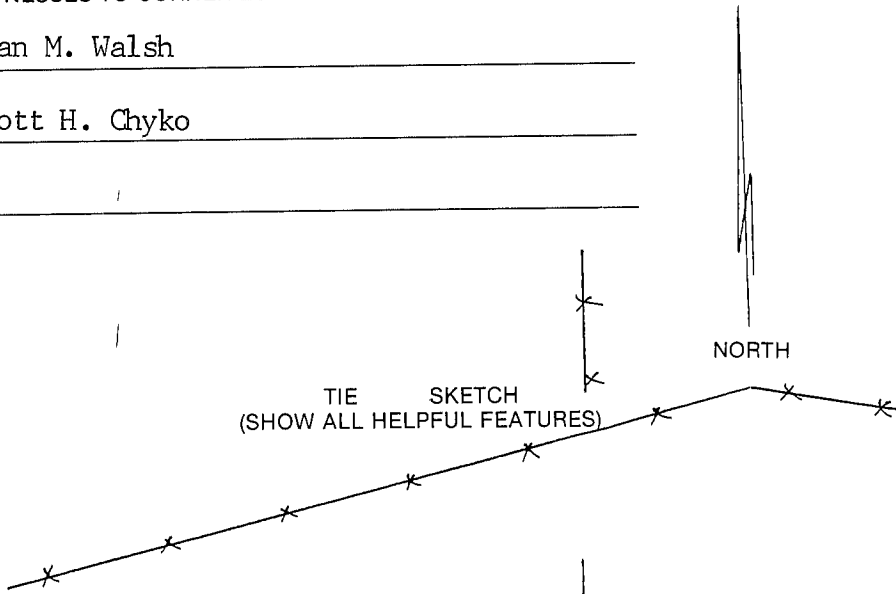
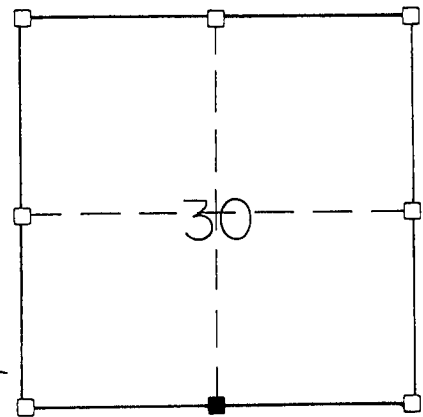
WITNESSES TO CORNER LOCATION

Sean M. Walsh

Scott H. Chyko

SECTION 30, T 6 N, R 3 EW

TOWN OF Mt. Ida

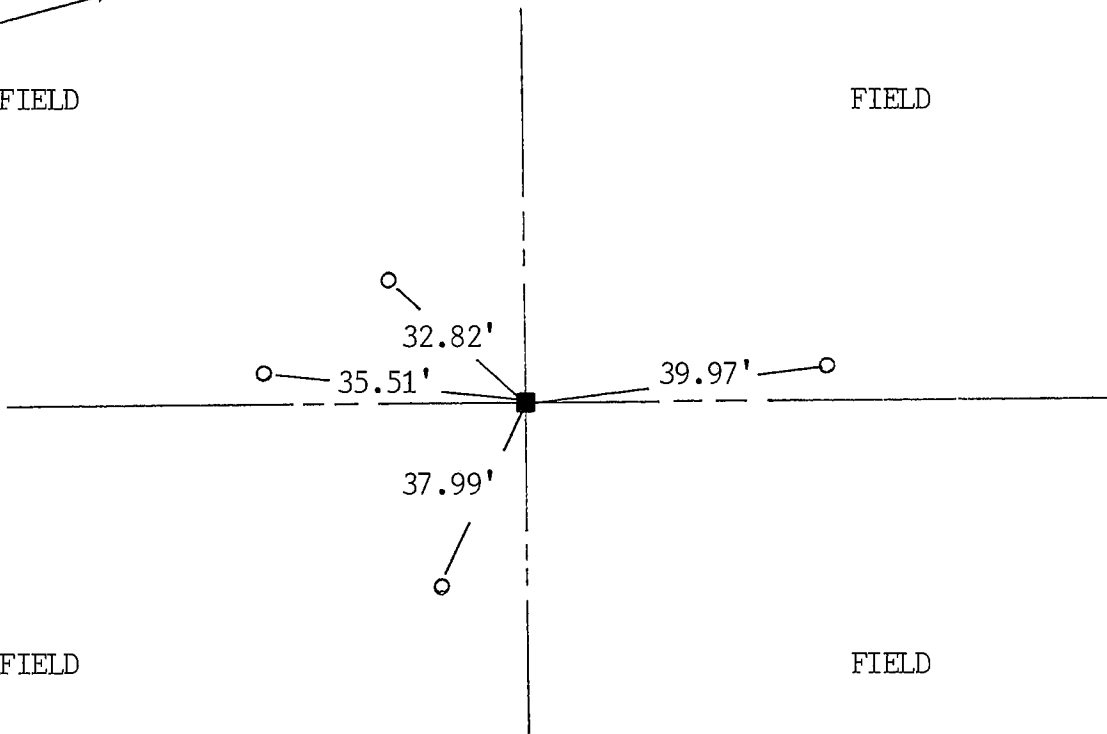


FIELD

FIELD

FIELD

FIELD



SURVEYOR'S CERTIFICATE

SEAL S. 2016

I, Sean M. Walsh, DO HEREBY CERTIFY THAT I have monumented and
perpetuated the above corner as shown hereon. This location was determined
by the proportionate projection of the occupied SE cor SW 1/4 -
SW 1/4 Section 30 from the Southeast corner thereof. That this information
correct and true to the best of my information, knowledge and belief.

DATED THIS 23 DAY OF MAY, 1994

Sean M. Walsh
 REGISTERED LAND SURVEYOR

