

63064

# U.S. PUBLIC LAND SURVEY MONUMENT RECORD - GRANT COUNTY, WI

Section 23, Town 6 North Range 3 West, Town of Mount Ida (a)

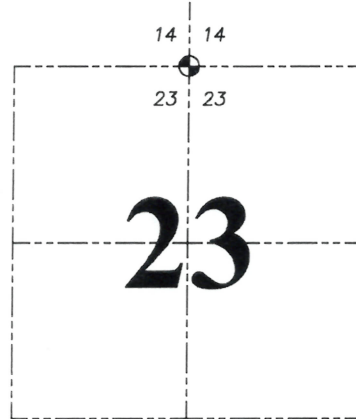
NOTE: This form is intended and designed to fulfill all requirements of the Wisconsin Administrative Code Chapter A-E 7.08, U.S. Public Land Survey Monument Record (3) (a) (b) (c) (d) (e) (f) (g) (h) (i).

**CERTIFICATE:** (i)

I, Aaron J. Austin, Wisconsin Professional Land Surveyor, do hereby certify that the corner location on this record was determined by me and/or under my direct supervision and that this U.S. Public Land Survey Monument Record is correct and complete to the best of my knowledge and belief.

Dated this 25th day of October, 2023.

*Aaron J. Austin*  
Aaron J. Austin, S-2922



● = CORNER LOCATION

Grant County Coordinates:  
NAD 83 (2011)  
Northing: 574,810.37  
Easting: 822,962.24

**HISTORY OF CORNER ESTABLISHMENT:**

Original corner was set in 1833 Harvey Parke.  
John Halverson set a 1 1/4" Rebar and prepared a Survey Monument Record dated 11-13-92.

**DESCRIPTION OF CORNER EVIDENCE FOUND:** (b) (f) (g) (h)

I set a 1" x 24" Rebar at the recorded distances from the Northeast Corner and South 1/4 Corner per a Survey filed in Book T, Page 29. I set four witness corners after I verified the Monument's location with G.P.S. and E.D.M. methods.

**DESCRIPTION OF CORNER AND WITNESS MONUMENTS,** references and accessories used to perpetuate the original or re-established location of this corner. (c) (d) (e)

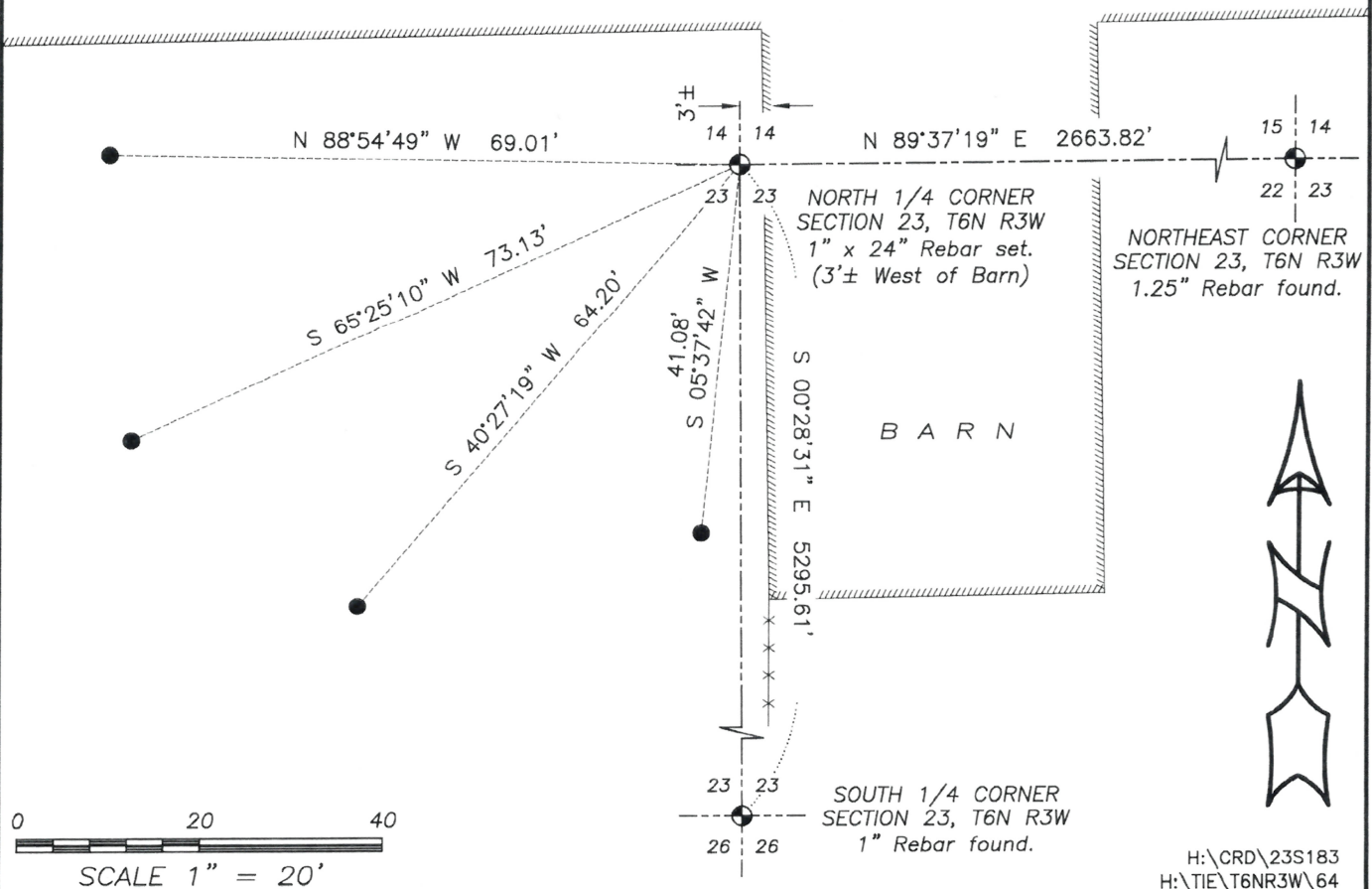
Witnesses to corner location Shane Austin, Owen Austin.  
Drawn by: Owen Austin.

SKETCH:

## LEGEND

- Section Corner—as designated
- 3/4" x 18" rebar set
- x-x-x- Existing fence

B A R N



SEP 17 1943

# U. S. PUBLIC LAND SURVEY MONUMENT RECORD

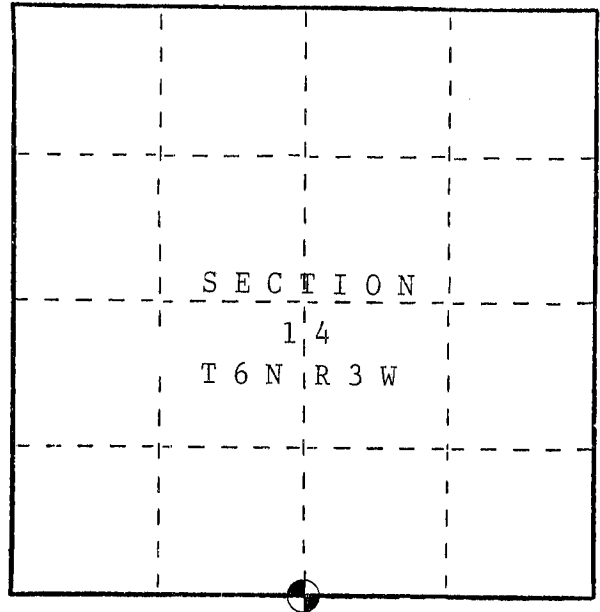
**INSTRUCTIONS :** This record shall show the location of the corner and shall include all of the following nine elements (a through i).

(a) Identify the corner by reference to the U.S. public land survey system.

○ = Corner monument restored.

South  $\frac{1}{4}$  corner of Section 14,  
Town 6 North, Range 3 West, Town of  
Mount Ida, Grant County, WI

Set  $1\frac{1}{2}$ " x 30" iron rod



(b) Describe any record evidence, monument evidence, occupational evidence, testimonial evidence or any other material evidence you considered, and whether the monument was found or placed.

Volume B, Page 83, Grant County Survey Records-Survey dated July 9, 1847 located the North  $\frac{1}{4}$  corner of Section 23.

Volume B, Page 102, Grant County Survey Records-Survey dated September 22, 1847 located the South  $\frac{1}{4}$  corner of Section 14.

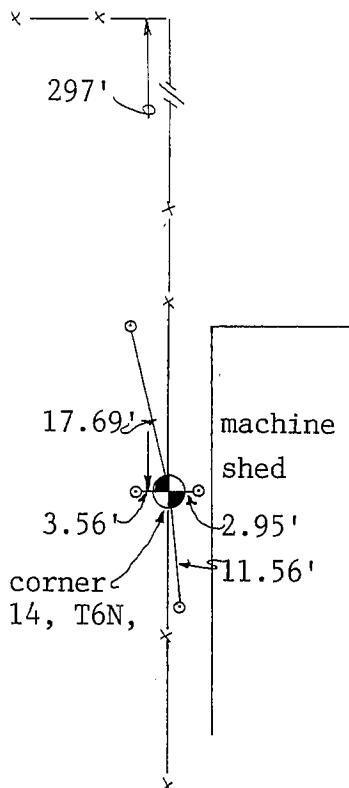
There was no evidence of this corner per the above surveys. I set this corner at record distance (297') South of a occupation fence West and in a North-South fence.

(c) In the plan view drawing below, provide reference ties to at least 4 witness monuments, or, if the location is within a municipality, to at least 2 witness monuments. (Witness monuments shall be made of concrete, natural stone, iron or other equally durable material.) Describe witness monuments.

(d) Show a plan view drawing depicting the relevant monuments and reference ties which is sufficient in detail to enable accurate relocation of the corner monument if the corner monument is disturbed. Indicate north.



Scale 1"=20'



South  $\frac{1}{4}$  corner  
Section 14, T6N,  
R3W

● Set  $1\frac{1}{2}$ " x 24" Iron Rod

○ Reference ties are  $\frac{5}{8}$ " x 18" Rebars

(e) Describe any material discrepancy between the location of the corner as restored or reestablished and the location of that corner as previously restored or reestablished by distance and direction. Show the discrepancy on the plan view drawing under (d), above. Show the distances between the corner as previously restored or reestablished and (1) the corner as restored or reestablished, and (2) to at least 2 of the witness monuments shown on the drawing in (d), above.

---

(f) Was the corner restored through acceptance of (1) an obliterated evidence location, or, (2) a found perpetuated location?

---

(g&h) Was the corner reestablished through lost corner proportionate methods? If so, show the method, including the directions and distances to other public land survey corners used as evidence or used for proportioning in determining the corner location?

No.

(i) I, John M. Halverson  
(type or print name) certify that the corner location shown on this record was determined by me or under my direction and control and that this U.S. Public Land Survey Monument Record is correct and complete to the best of my knowledge and belief.

John M. Halverson  
Signature

11/13/92  
Date

