

62014

U.S. PUBLIC LAND SURVEY MONUMENT RECORD

(AS REQUIRED BY s.A-E 7.08, WI. ADM. CODE)

History of original corner establishment and subsequent restorations and description of any record, monument, occupational, testimonial, or other evidence considered.

The current tie sheet on file was prepared by Larry Austin dated January 5, 2000. I accepted the location of Austin's Grant County Coordinates by verifying the bearing and distance to the SW Corner of 6-6-2W. This tie sheet is prepared for the purpose of resetting the corner and ties as shown herein.

- RESTORED THROUGH ACCEPTANCE OF AN OBLITERATED EVIDENCE LOCATION
- RESTORED THROUGH ACCEPTANCE OF A FOUND PERPETUATED LOCATION CONSIDERED A LOST CORNER AND REESTABLISHED THROUGH LOST CORNER PROPORTIONATE METHODS (INCLUDE A PLAN VIEW DRAWING SHOWING BEARING & DISTANCE TO OTHER PUBLIC LAND SURVEY CORNERS USED FOR PROPORTIONING AND DETERMINING THE CORNER LOCATION)
- RESTORED OR REESTABLISHED IN A LOCATION THAT DIFFERS FROM A PREVIOUS RESTORATION OR REESTABLISHMENT (INCLUDE A PLAN VIEW DRAWING AND INDICATE WHAT WAS SET AND/OR FOUND)

Describe the monument and accessories used to perpetuate the location of the corner. (include a plan view drawing and indicated what was set and/or found)

LEGEND:

- SET 1" IRON PIPE
- SET 3/4" REBAR TIE
- () RECORDED AS

— x — x — FENCE

● = LOCATION OF CORNER

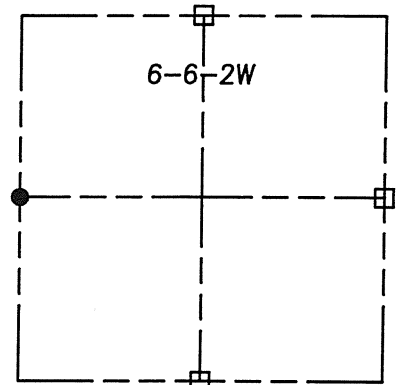
COUNTY INDEX NO: 6-6-014

COUNTY COORDINATE:

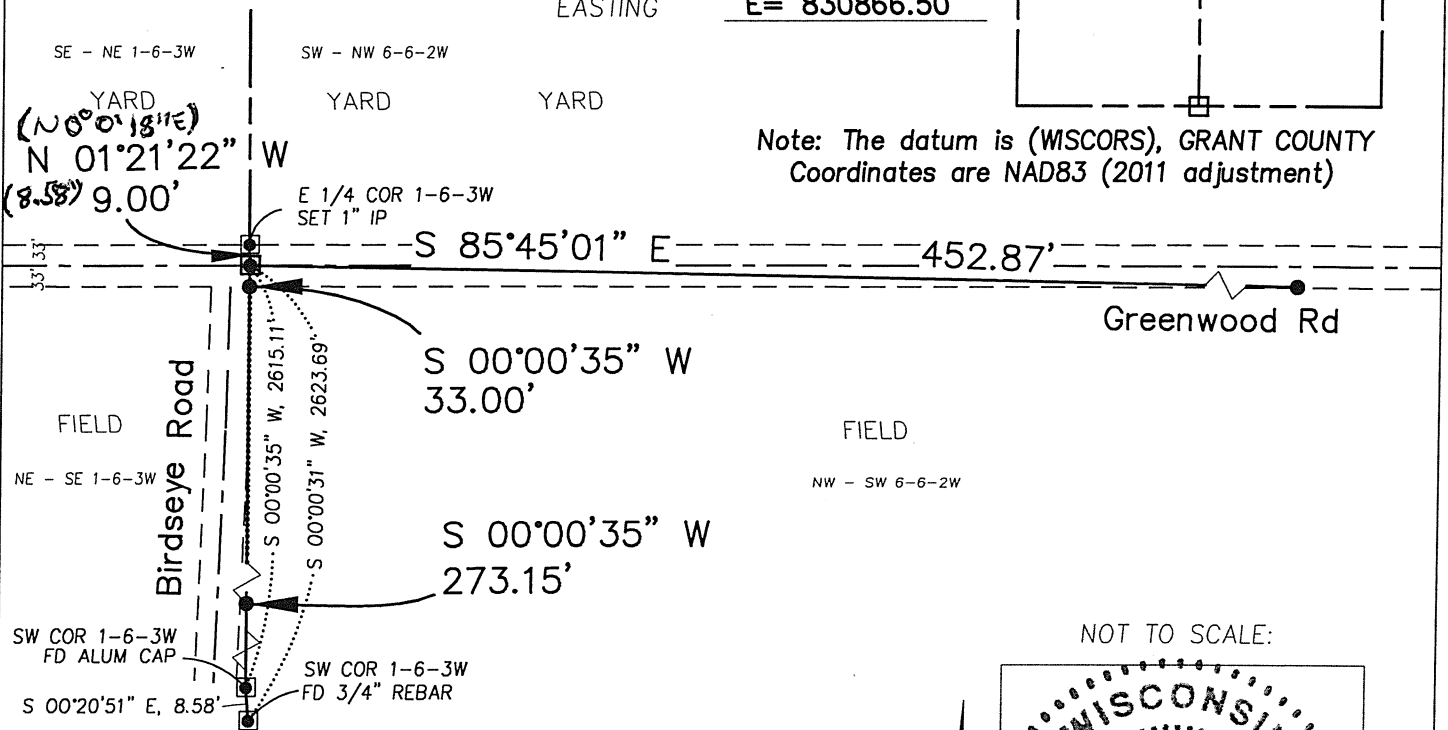
W 1/4 COR 6-6-2W

NORTHING N= 588093.60

EASTING E= 830866.50



Note: The datum is (WISCORS), GRANT COUNTY Coordinates are NAD83 (2011 adjustment)



GRANT

COUNTY, WISCONSIN

JOB ID: 24S-064

BOOK #: 24-2 PG 26-27

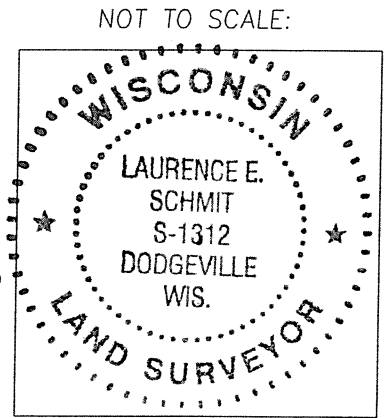
I, LAURENCE E SCHMIT CERTIFY THAT THE CORNER LOCATION SHOWN ON THIS RECORD WAS DETERMINED BY ME OR UNDER MY DIRECTION AND CONTROL AND THAT THIS U.S. PUBLIC LAND SURVEY MONUMENT RECORD IS CORRECT AND COMPLETE, TO THE BEST OF MY KNOWLEDGE AND BELIEF.

Laurence E Schmit

9-10-24

SIGNATURE

DATE:



LAND SURVEYORS SEAL

GRANT COUNTY CERTIFIED LAND CORNER

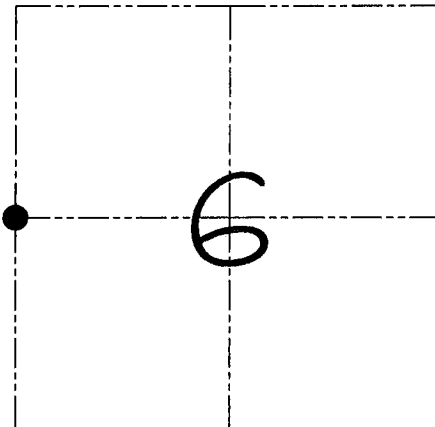
CORNER NUMBER 14

CERTIFICATE:

I, Larry L. Austin, do hereby certify that on the 15th day of January, 2000, I found evidence of the West 1/4 corner of Section 06, Town 6 North, Range 2 West, of the 4th Principal Meridian, and I re-established said corner according to the Wisconsin statutes as shown and described herein.

Dated this 3rd day of February, 2000

Larry L. Austin
 Larry L. Austin S-1903
 Lancaster WI 53153
 LAND SURVEYOR



● = CORNER LOCATION

**WEST 1/4 CORNER OF
SECTION 06, T 6 N R 2 W
TOWN OF FENNIMORE**

Grant County COOR.

N - 588093.6

E - 830866.5

SEAL

HISTORY OF ORIGINAL CORNER ESTABLISHMENT:

Corner was never originally set.
No other record of the corner was found.

DESCRIPTION OF CORNER EVIDENCE FOUND:

I found an existing 1" iron pipe and accepted it's location after an E.D.M. and G.P.S. traverse of the area.

DESCRIPTION OF CORNER AND WITNESS MONUMENTS, references and accessories used to perpetuate the original or re-established location of this corner
 WITNESS TO THE CORNER LOCATION: BOBBY SEDGWICK : SHELBY BLINDERT

SKETCH:

* SEE SECTION SUMMARY FOR *
RELATIONSHIP TO AREA CORNERS

LEGEND

- Number 8 by 30" rebar set with Grant County aluminum cap
- Number 4 by 24" rebar set with red plastic cap
- △ 1" Iron pipe found
- ×× Existing fence location

