

U.S. PUBLIC LAND SURVEY MONUMENT RECORD - GRANT COUNTY, WI

Section 4, Town 5 North Range 4 West, Town of Little Grant (a)

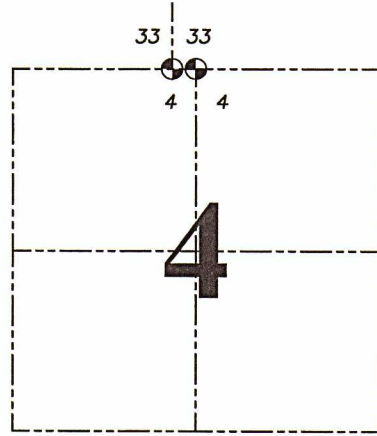
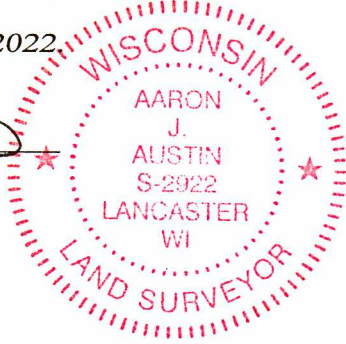
NOTE: This form is intended and designed to fulfill all requirements of the Wisconsin Administrative Code Chapter A-E 7.08, U.S. Public Land Survey Monument Record (3) (a) (b) (c) (d) (e) (f) (g) (h) (i).

CERTIFICATE: (i)

I, Aaron J. Austin, Wisconsin Professional Land Surveyor, do hereby certify that the corner location on this record was determined by me and/or under my direct supervision and that this U.S. Public Land Survey Monument Record is correct and complete to the best of my knowledge and belief.

Dated this 20th day of October, 2022

Aaron J. Austin (signature)
Aaron J. Austin, S-2922



Symbol = CORNER LOCATION

Grant County Coordinates:
NAD 83 (2011)
Northing: 559,045.37
Easting: 780,608.39

HISTORY OF CORNER ESTABLISHMENT:

Original corner was set in 1832 by Sibley.
Larry Austin set an Aluminum Monument and prepared a Survey Monument Record dated 7/15/1995.

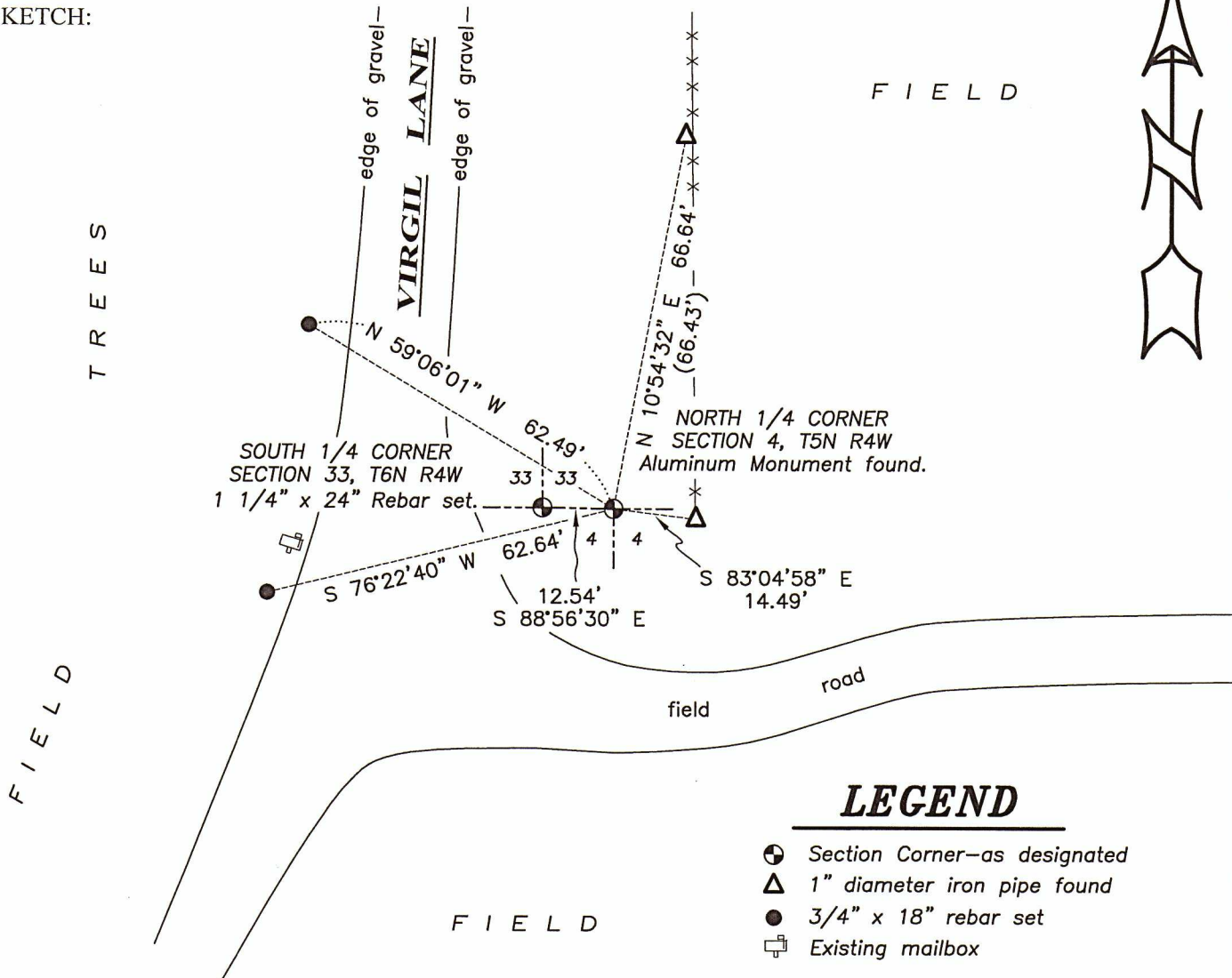
DESCRIPTION OF CORNER EVIDENCE FOUND: (b) (f) (g) (h)

I found an Aluminum Monument and two witness corners Larry set. I set two additional witness corners after I verified the Monument's location with G.P.S. and E.D.M. methods.

DESCRIPTION OF CORNER AND WITNESS MONUMENTS, references and accessories used to perpetuate the original or re-established location of this corner. (c) (d) (e)

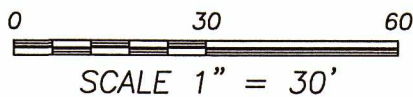
Witnesses to corner location Shane Austin, Owen Austin, Tanner Austin.
Drawn by: Owen Austin

SKETCH:



LEGEND

- Section Corner-as designated
1" diameter iron pipe found
3/4" x 18" rebar set
Existing mailbox



GRANT COUNTY

Survey Monument Record

TYPE OF MONUMENT GRANT County Alum. Mon.

STATE PLANE COORDINATES: N _____
E _____

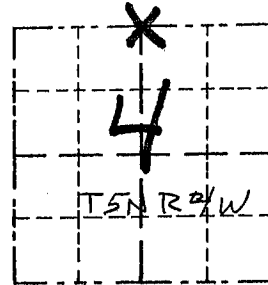
ELEVATION — M.S.L. DATUM: _____

THETA ANGLE: _____

FIELD BOOK: 95-03

PAGE (19)

CORNER NO. 8
SECTION 04
TOWN 5N
RANGE 4W
N 1/4 COR



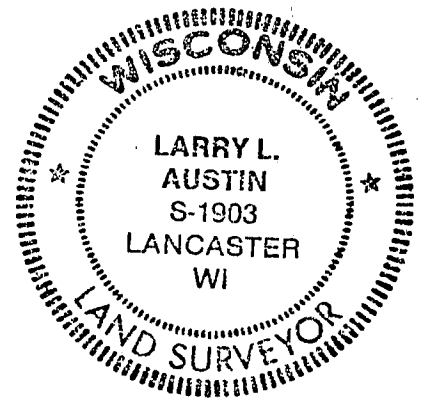
LOCATION
(Indicated by "X")

BASIS FOR MONUMENT LOCATION

(Use reverse side if necessary)

Show info such as: History of corner, with reference to Vol. and pg., dates, surveyor; exact description of monument replaced; if location computed, by taped or EDM traverse; landowner, remarks, etc.

SEAL:



CORNER WAS SET ON THE SOUTH LINE OF SECTION 33, T6N, R4W AND AT PROPORTIONATE OFFSET DISTANCE RECORDED AT NORTHEAST CORNER OF SECTION 4 AND THE NORTHWEST CORNER SECTION 4, (T5N, R4W) AND VERIFIED BY EDM TRAVERSE OF THE AREA.

CERTIFIED CORRECT

Larry L. Austin
Registered Land Surveyor

DATE: 7/15/95

TIE SKETCH

Show at least three (3) ties and monument

LEGEND

- ▲ RAILROAD SPIKE SET
- ⊕ Alum. Mon. SET
- 1"X12" IRON PIPES
- *** EXISTING FENCE

PASTURE/WOODS

