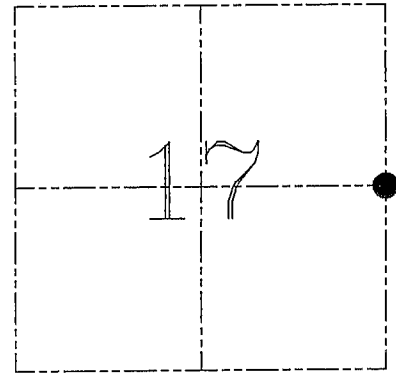
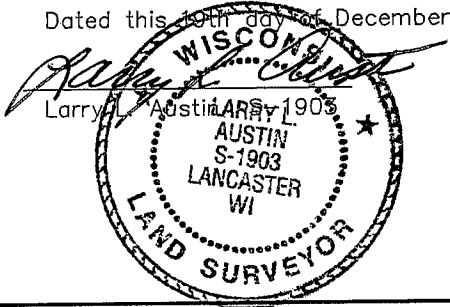


U.S. PUBLIC LAND SURVEY MONUMENT RECORD – GRANT COUNTY, WI
Section 17, Town 5 North Range 3 West, Town of North Lancaster

CERTIFICATE

I, Larry L. Austin, do hereby certify that the corner location on this record was determined by me and/or under my direct supervision and that this U.S. public land survey monument record is correct and complete to the best of my knowledge and belief.

Dated this 19th day of December, 2003



● = CORNER LOCATION

HISTORY OF CORNER ESTABLISHMENT

Corner was originally set in 1832 by Parke.
 In 1994 I set and tied the corner.

DESCRIPTION OF CORNER EVIDENCE FOUND

I was unable to locate the monument and any of the ties due to bulldozing. I reset the corner based on measurements to adjoining corners from previous surveys. Verified this location using EDM & GPS methods.

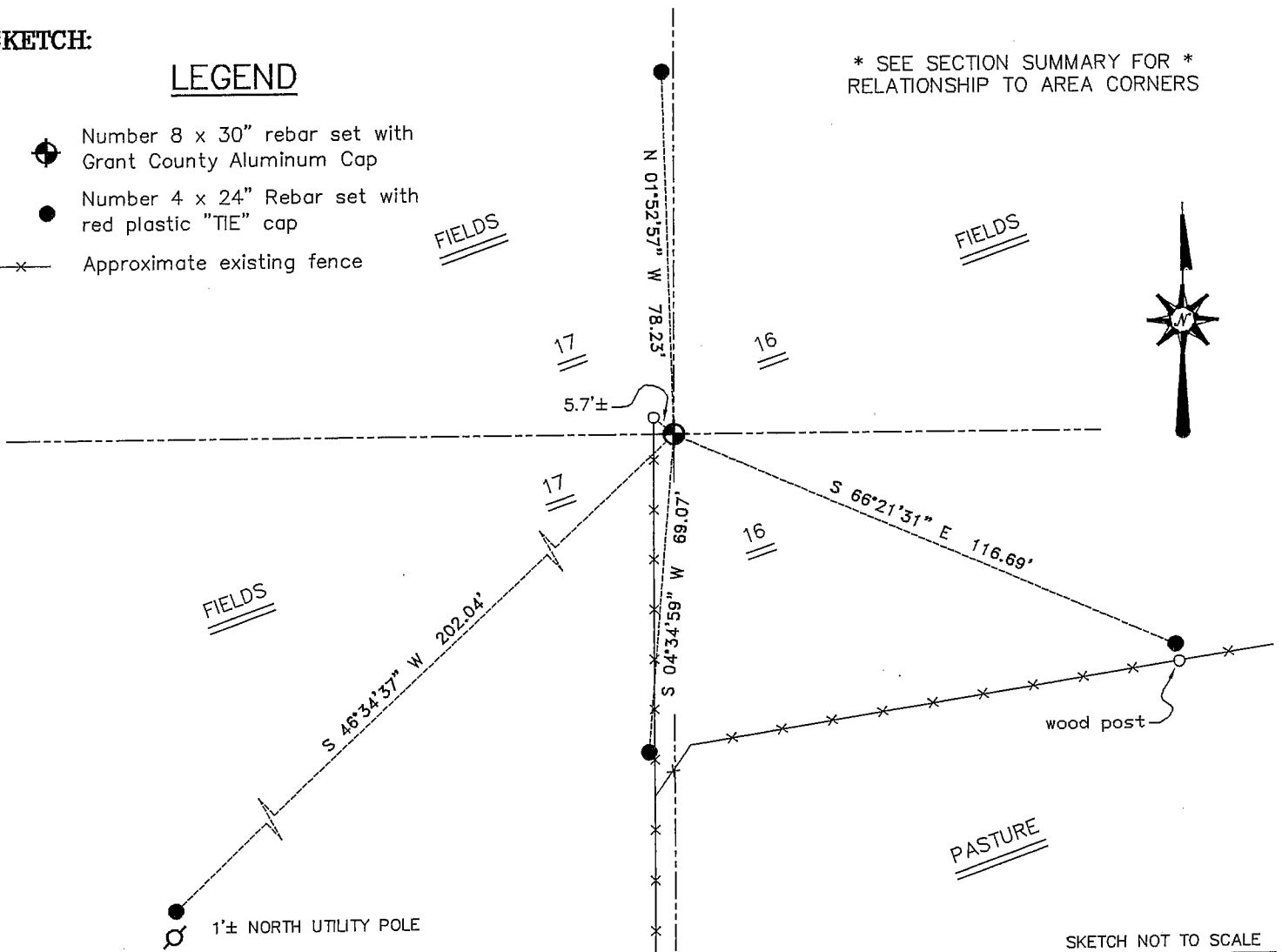
DESCRIPTION OF CORNER AND WITNESS MONUMENTS, references and accessories used to perpetuate the original or re-established location of this corner. Witnesses to corner location Bobby Sedgwick & Shelby Blindert & Brad Digman

SKETCH:

LEGEND

- Number 8 x 30" rebar set with Grant County Aluminum Cap
- Number 4 x 24" Rebar set with red plastic "TIE" cap
- x— Approximate existing fence

* SEE SECTION SUMMARY FOR *
 RELATIONSHIP TO AREA CORNERS



SKETCH NOT TO SCALE

AUSTIN ENGINEERING, LLC
 4211 HWY 81 EAST, LANCASTER, WI 53813
 PHONE 608-723-6363 FAX 608-723-6702

FIELDBOOK: TDS RNGR, 2144
 G: \T5NR3W\08
 H: \TIE\T5NR3W\56
 JOB NUMBER 03S311

DRAWN BY: SW AUSTIN
 APPROVED: LL AUSTIN

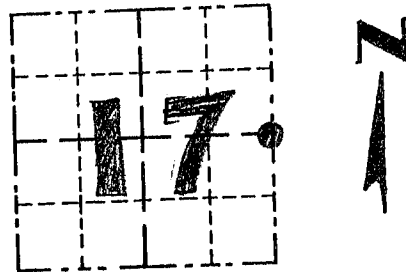
CORNER NUMBER 56

GRANT COUNTY

Survey Monument Record

TYPE OF MONUMENT ALUMINUM MONUMENT
 STATE PLANE COORDINATES: N _____
 E NA
 ELEVATION — M.S.L. DATUM: _____
 THETA ANGLE: _____
 FIELD BOOK: 9415
 PAGE 21

CORNER NO. 56
 SECTION 17
 TOWN 5N
 RANGE 3W
E 1/4 COR.



LOCATION
 (Indicated by "●")

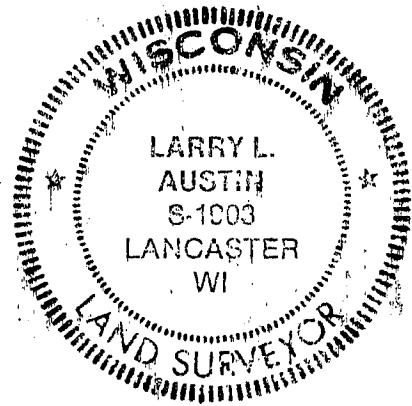
BASIS FOR MONUMENT LOCATION

(Use reverse side if necessary)

Show info such as: History of corner, with reference to Vol. and pg., dates, surveyor; exact description of monument replaced; if location computed, by taped or EDM traverse; landowner, remarks, etc.

SEAL:

*No RECORD OF COR. FD.
 SINCE THE ORIGINAL SURVEYS;
 I ACCEPTED OCCUPIED LOCATION
 & VERIFIED BY EDM TRAVERSE
 OF THE AREA.*



CERTIFIED CORRECT

Larry L. Austin
 Registered Land Surveyor

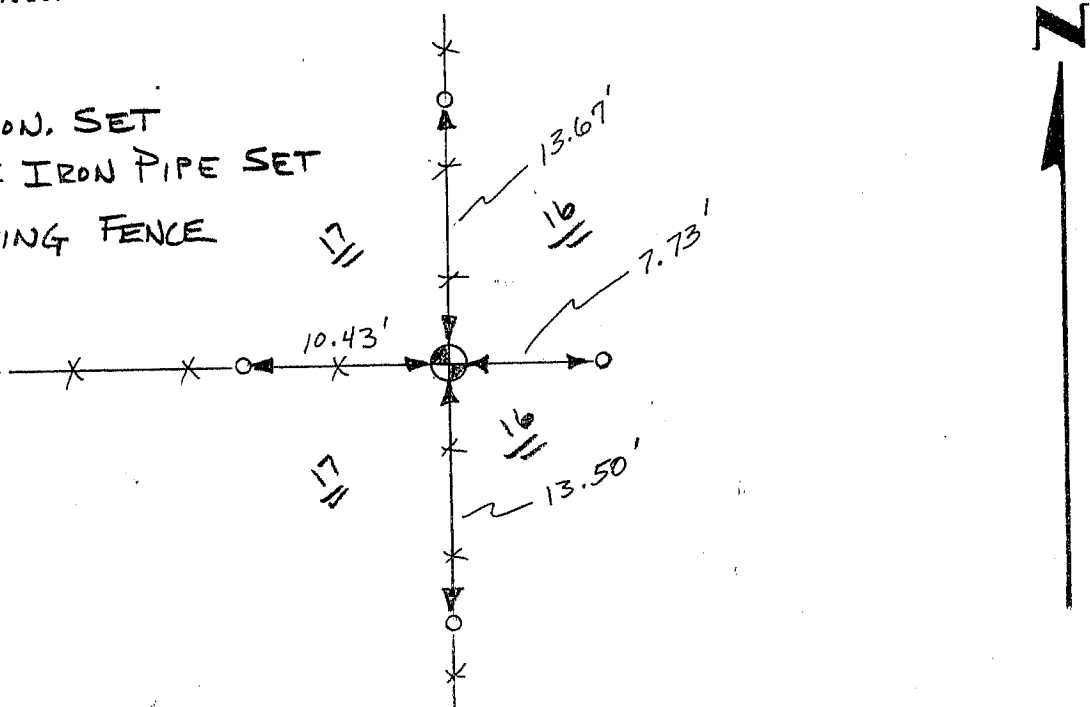
DATE: 9/30/94

TIE SKETCH

Show at least three (3) ties and monument

LEGEND

- Alum. Mon. SET
- 1" x 12" ± IRON PIPE SET
- ✕ ✕ EXISTING FENCE



NO SCALE