

44038

# U.S. PUBLIC LAND SURVEY MONUMENT RECORD - GRANT COUNTY, WI

Section 11, Town 4 North Range 4 West, Town of Beetown (a)

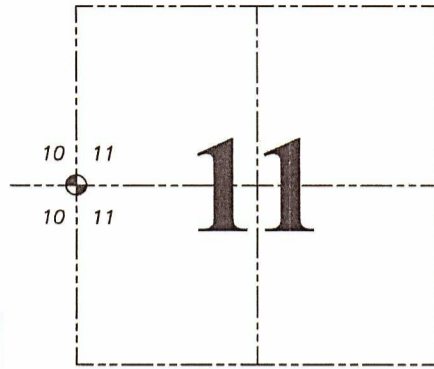
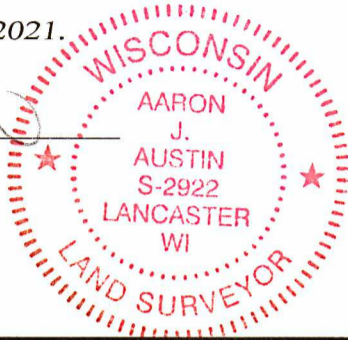
NOTE: This form is intended and designed to fulfill all requirements of the Wisconsin Administrative Code Chapter A-E 7.08, U.S. Public Land Survey Monument Record (3) (a) (b) (c) (d) (e) (f) (g) (h) (i).

CERTIFICATE: (i)

I, Aaron J. Austin, Wisconsin Professional Land Surveyor, do hereby certify that the corner location on this record was determined by me and/or under my direct supervision and that this U.S. Public Land Survey Monument Record is correct and complete to the best of my knowledge and belief.

Dated this 2nd day of June, 2021.

*Aaron J. Austin*  
Aaron J. Austin, S-2922



⊕ = CORNER LOCATION

Grant County Coordinates:  
NAD 83 (2011)  
Northing: 519,420.73  
Easting: 788,794.10

HISTORY OF CORNER ESTABLISHMENT:

Original corner was set in 1833 by Robert Clark.  
Larry Austin set a 3/4" Rebar with an Aluminum Cap and prepared a Survey Monument Record dated 7/17/1996.

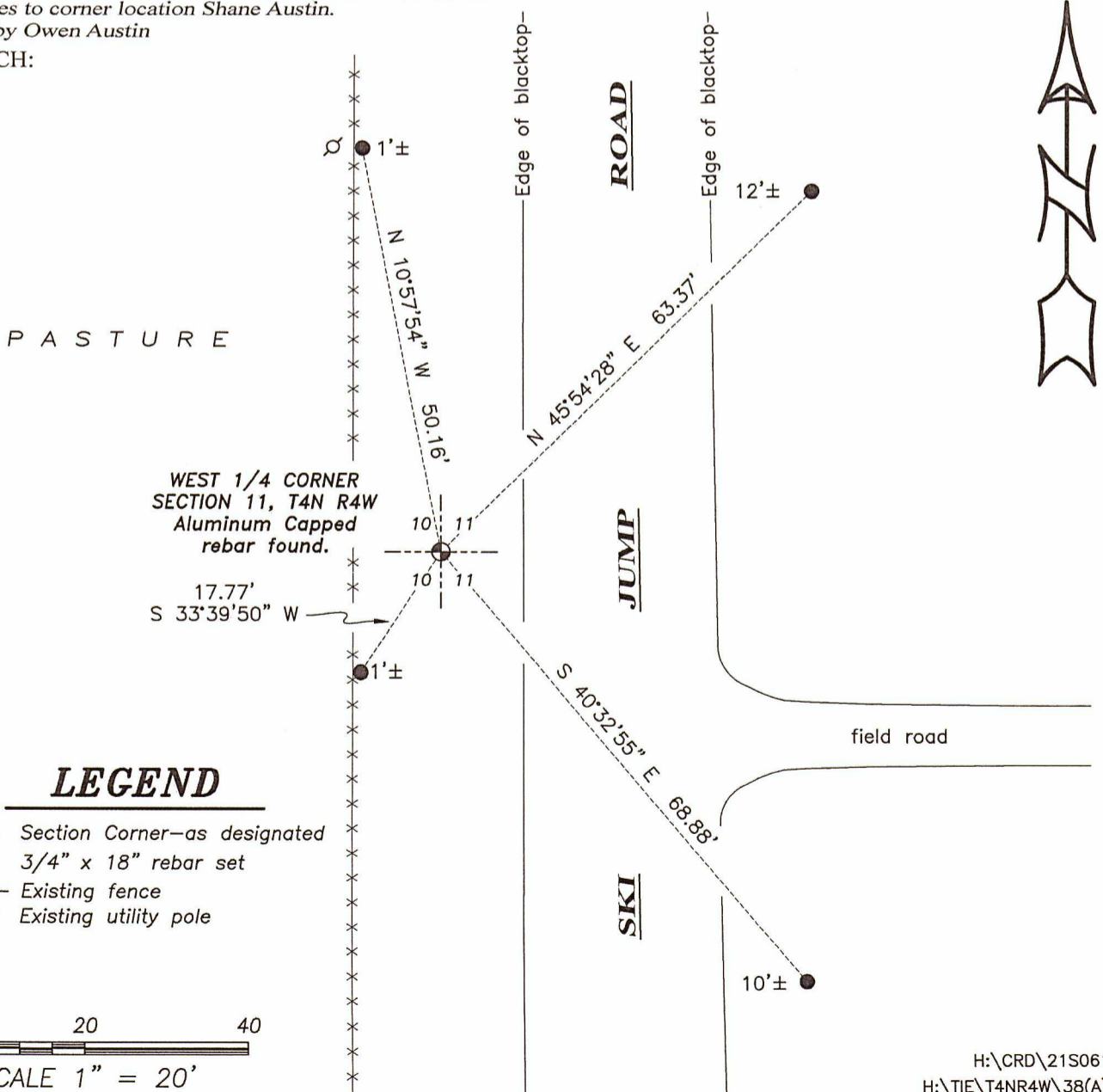
DESCRIPTION OF CORNER EVIDENCE FOUND: (b) (f) (g) (h)

I found the 3/4" Rebar with an Aluminum Cap Larry set. I set four new witness corners after I verified the Monument's location with G.P.S. and E.D.M. methods.

DESCRIPTION OF CORNER AND WITNESS MONUMENTS: references and accessories used to perpetuate the original or re-established location of this corner. (c) (d) (e)

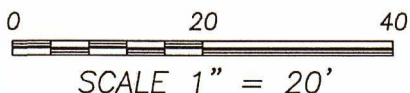
Witnesses to corner location Shane Austin.  
Drawn by Owen Austin

SKETCH:



### LEGEND

- ⊕ Section Corner—as designated
- 3/4" x 18" rebar set
- x-x-x- Existing fence
- ♁ Existing utility pole

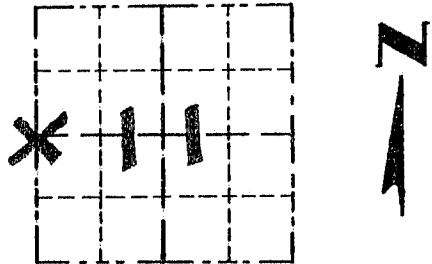


Survey Monument Record

TYPE OF MONUMENT 3/4" x 24" IRON BAR  
SET WITH GRANT COUNTY CAP

CORNER NO. 38  
 SECTION 11  
 TOWN 4N  
 RANGE 4W

FIELD BOOK: 96-04  
 PAGE 15



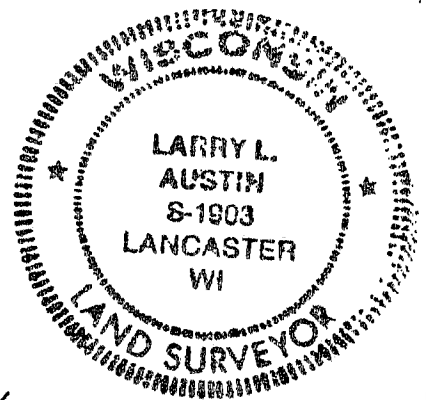
LOCATION  
 (Indicated by "X")

BASIS FOR MONUMENT LOCATION

(Use reverse side if necessary)

Show info such as: History of corner, with reference to Vol. and pg., dates, surveyor; exact description of monument replaced; if location computed, by taped or EDM traverse; landowner, remarks, etc.

SEAL:



NO RECORD FOUND SINCE ORIGINAL SURVEY IN 1833 BY CLARK. THE N-S LOCATION OF THE CORNER WAS SET EQUIDISTANT TO NW & SW CORNERS OF THE SECTION; E-W LOCATION BASED ON PROJECTION OF A FENCE FROM THE SOUTH. THIS LOCATION VERIFIED BY EDM TRAVERSE OF THE AREA.

CERTIFIED CORRECT

*Larry L. Austin*  
 Registered Land Surveyor

DATE: 7/17/96

TIE SKETCH

Show at least three (3) ties and monument

