

Remon
42057

GRANT COUNTY U.S. PUBLIC LAND SURVEY MONUMENT RECORD

INSTRUCTIONS: THIS RECORD SHALL SHOW THE LOCATION OF THE CORNER AND SHALL INCLUDE ALL OF THE FOLLOWING ELEMENTS (A THROUGH I).

(A) IDENTIFY THE CORNER AS REFERENCED TO THE U.S. PUBLIC LAND SURVEY SYSTEM

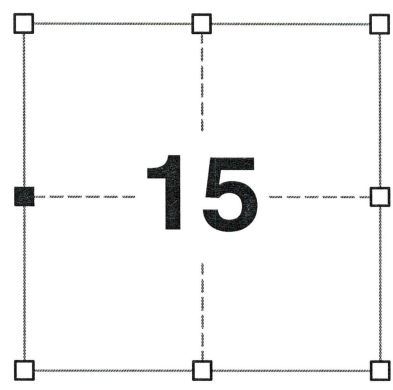
■ = CORNER MONUMENT RESTORED

WITNESSES TO CORNER LOCATION:

JAY P. ADAMS
TYLER D. ATKINSON

GEOGRAPHIC COORDINATES,
NAD 83 (2011) ADJUSTMENT:
LATITUDE: 42° 49' 13.26921"
LONGITUDE: 90° 36' 19.07683"

WISCONSIN COORDINATE REFERENCE SYSTEM (WISCRS),
GRANT COUNTY, NAD 83 (2011) ADJUSTMENT:
NORTHING: 513,634.538
EASTING: 847,240.153



SECTION 15
TOWNSHIP 4 NORTH, RANGE 2 WEST
TOWN OF ELLENBORO

(B) DESCRIBE ANY RECORD EVIDENCE, MONUMENT EVIDENCE, OCCUPATIONAL EVIDENCE, TESTIMONIAL EVIDENCE OR ANY OTHER MATERIAL EVIDENCE YOU CONSIDERED, AND WHETHER THE MONUMENT WAS FOUND OR PLACED.

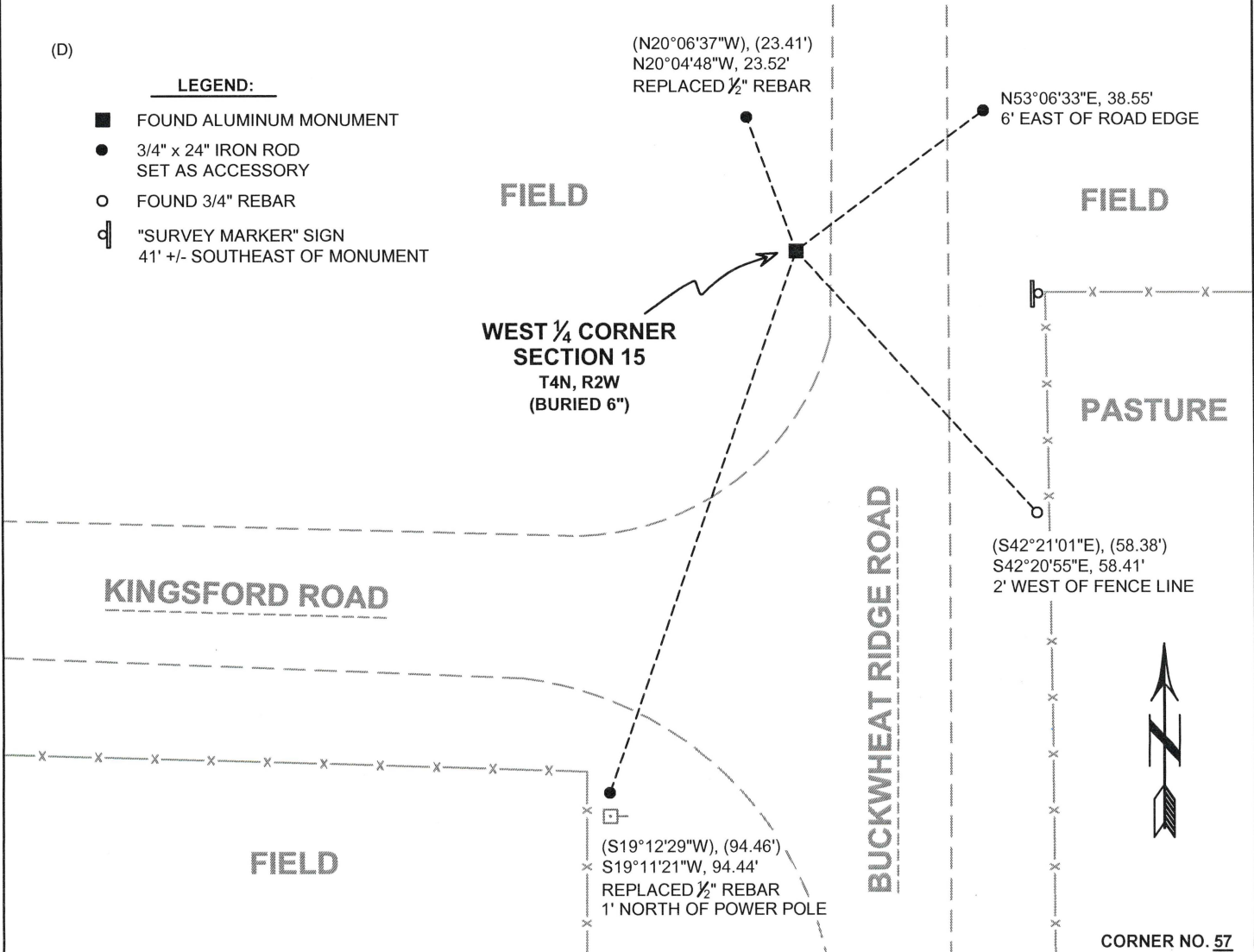
I COULD FIND NO MONUMENTS OR BEARING TREES FROM THE ORIGINAL GOVERNMENT SURVEY OR THE HISTORIC COUNTY SURVEYOR'S SUBSEQUENT RESURVEYS. I RECOVERED THE ALUMINUM MONUMENT SET BY BOWDEN. I ACCEPTED THIS LOCATION AS THE BEST AVAILABLE EVIDENCE OF THE ORIGINAL GOVERNMENT CORNER AND LEFT THE ALUMINUM MONUMENT IN PLACE.

(C) IN THE PLAN VIEW DRAWING BELOW, PROVIDE REFERENCE TIES TO AT LEAST 4 WITNESS MONUMENTS. WITNESS MONUMENTS SHALL BE MADE OF CONCRETE, NATURAL STONE, IRON, BEARING TREES OR ANY OTHER EQUALLY DURABLE MATERIAL. DEPICT THE RELEVANT MONUMENTS AND REFERENCE TIES WITH SUFFICIENT DETAIL TO ENABLE ACCURATE RELOCATION OF THE CORNER IF THE CORNER MONUMENT IS DISTURBED.

(D)

LEGEND:

- FOUND ALUMINUM MONUMENT
- 3/4" x 24" IRON ROD SET AS ACCESSORY
- FOUND 3/4" REBAR
- "SURVEY MARKER" SIGN 41' +/- SOUTHEAST OF MONUMENT



42057

(E) DESCRIBE ANY MATERIAL DISCREPANCY BETWEEN THE LOCATION OF THE CORNER AS RESTORED OR REESTABLISHED AND THE LOCATION OF THAT CORNER AS PREVIOUSLY RESTORED OR REESTABLISHED BY DISTANCE AND DIRECTION. SHOW THE DISCREPANCY ON THE PLAN VIEW DRAWING UNDER (D), ABOVE. SHOW THE DISTANCES BETWEEN THE CORNER AS PREVIOUSLY RESTORED OR REESTABLISHED AND (1) THE CORNER AS RESTORED OR REESTABLISHED, AND (2) TO AT LEAST 2 OF THE WITNESS MONUMENTS SHOWN ON THE DRAWING IN (D) ABOVE.

N/A

(F) WAS THE CORNER RESTORED THROUGH ACCEPTANCE OF (1) AN OBLITERATED EVIDENCE LOCATION, OR (2) A FOUND PERPETUATED LOCATION?

(2) A FOUND PERPETUATED LOCATION.

(G&H) WAS THE CORNER REESTABLISHED THROUGH LOST CORNER PROPORTIONATE METHODS? IF SO, SHOW THE METHOD, INCLUDING THE DIRECTIONS AND DISTANCES TO OTHER PUBLIC LAND SURVEY CORNERS USED AS EVIDENCE OR USED FOR PROPORTIONING IN DETERMINING THE CORNER LOCATION.

N/A

CORNER HISTORY

THE ORIGINAL GOVERNMENT CORNER WAS ESTABLISHED BY ROBERT CLARK JR. IN THE FIRST QUARTER OF 1833.

IN A SURVEY DATED FEBRUARY 1852, OVERTON FOUND THE ORIGINAL GOVERNMENT CORNER.

IN A SURVEY DATED 5 MAY 1873, GEORGE MCFALL WAS AT THE CORNER.

IN A SURVEY DATED 5 MAY 1893, CHARLES SAMPSON FOUND THE SOUTHEAST ORIGINAL BEARING TREE AND THE STUMP OF THE OTHER. HE SET A STONE AT THE CORNER.

IN A PLAT OF SURVEY DATED 16 AUGUST 1990, BRUCE BOWDEN SET A 30" ALUMINUM MONUMENT AT THE CORNER.

IN A PLAT OF SURVEY DATED 17 APRIL 1997, BRUCE BOWDEN FOUND AN ALUMINUM MONUMENT AT THE CORNER.

IN A PLAT OF SURVEY DATED 17 DECEMBER 2001, LARRY AUSTIN FOUND AN ALUMINUM MONUMENT AT THE CORNER.

IN A PLAT OF SURVEY DATED 27 MAY 2008, LARRY AUSTIN FOUND AN ALUMINUM MONUMENT AT THE CORNER.

IN A PLAT OF SURVEY DATED 11 MAY 2012, AARON AUSTIN FOUND AN ALUMINUM MONUMENT AT THE CORNER.

IN A PLAT OF SURVEY DATED 3 DECEMBER 2012, AARON AUSTIN FOUND AN ALUMINUM MONUMENT AT THE CORNER.

IN A PLAT OF SURVEY DATED 20 DECEMBER 2012, AARON AUSTIN FOUND AN ALUMINUM MONUMENT AT THE CORNER.

IN A TIE SHEET DATED 20 DECEMBER 2017, AARON AUSTIN FOUND AN ALUMINUM MONUMENT AT THE CORNER.

AFFIX LAND SURVEYOR SEAL

(I) I, JAY P. ADAMS, P.L.S. - 2879, CERTIFY THAT THE CORNER LOCATION SHOWN ON THIS RECORD WAS DETERMINED BY ME OR UNDER MY DIRECTION AND CONTROL AND THAT THIS U.S. PUBLIC LAND SURVEY MONUMENT RECORD IS CORRECT AND COMPLETE TO THE BEST OF MY KNOWLEDGE AND BELIEF.

11 FEBRUARY 2020

SIGNATURE

DATE



U.S. PUBLIC LAND SURVEY MONUMENT RECORD - GRANT COUNTY, WI

Section 15, Town 4 North Range 2 West, Town of Ellenboro (a)

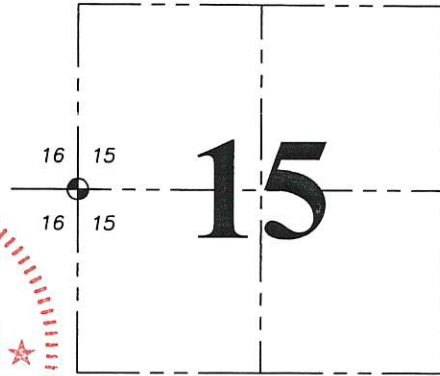
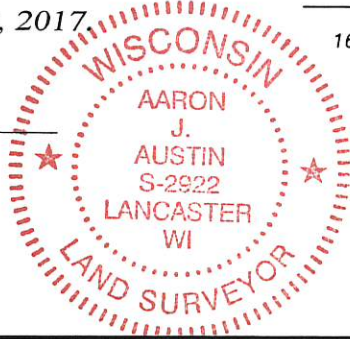
NOTE: This form is intended and designed to fulfill all requirements of the Wisconsin Administrative Code Chapter A-E 7.08, U.S. Public Land Survey Monument Record (3) (a) (b) (c) (d) (e) (f) (g) (h) (i).

CERTIFICATE: (i)

I, Aaron J. Austin, Wisconsin Professional Land Surveyor, do hereby certify that the corner location on this record was determined by me and/or under my direct supervision and that this U.S. Public Land Survey Monument Record is correct and complete to the best of my knowledge and belief.

Dated this 20th day of December, 2017.

Aaron J. Austin, S-2922



⊕ = CORNER LOCATION

HISTORY OF CORNER ESTABLISHMENT:

Robert Clark set the original corner in 1833. Bruce Bowden set an aluminum monument at the corner and prepared a Survey Monument Record dated August 16, 1990.

DESCRIPTION OF CORNER EVIDENCE FOUND: (b) (f) (g) (h)

I found the monument as set by Bruce Bowden along with three witness monuments. I set one additional witness monument after I verified the monument's location with G.P.S. and E.D.M. methods.

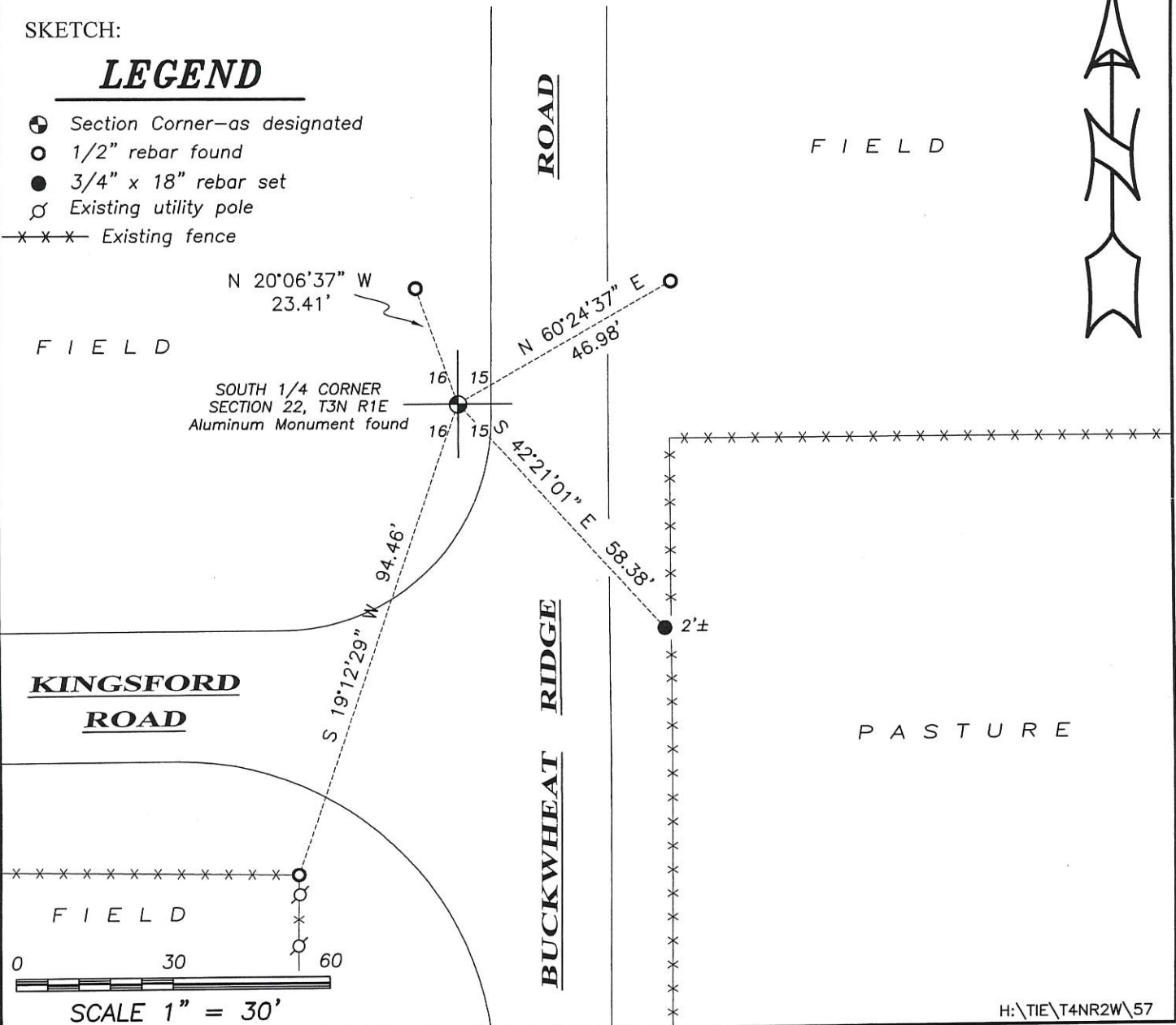
DESCRIPTION OF CORNER AND WITNESS MONUMENTS, references and accessories used to perpetuate the original or re-established location of this corner. (c) (d) (e)

Witnesses to corner location Shane Austin. Drawn by Owen Austin.

SKETCH:

LEGEND

- ⊕ Section Corner-as designated
○ 1/2" rebar found
● 3/4" x 18" rebar set
⊕ Existing utility pole
-x-x-x Existing fence



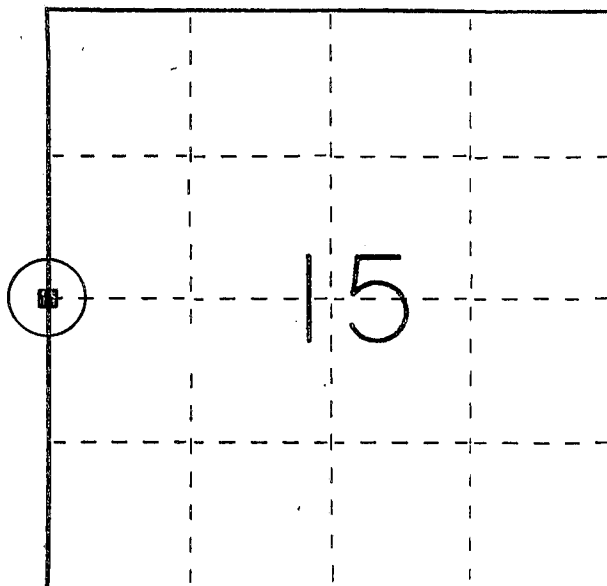
U. S. PUBLIC LAND SURVEY MONUMENT RECORD

INSTRUCTIONS: This record shall show the location of the corner and shall include all of the following nine elements (a through i).

(a) Identify the corner by reference to the U.S. public land survey system.

○ = Corner monument restored.

WEST 1/4 CORNER
SECTION 15
TOWN 4 NORTH
RANGE 2 WEST
ELLENBORO TOWNSHIP
GRANT COUNTY, WISCONSIN

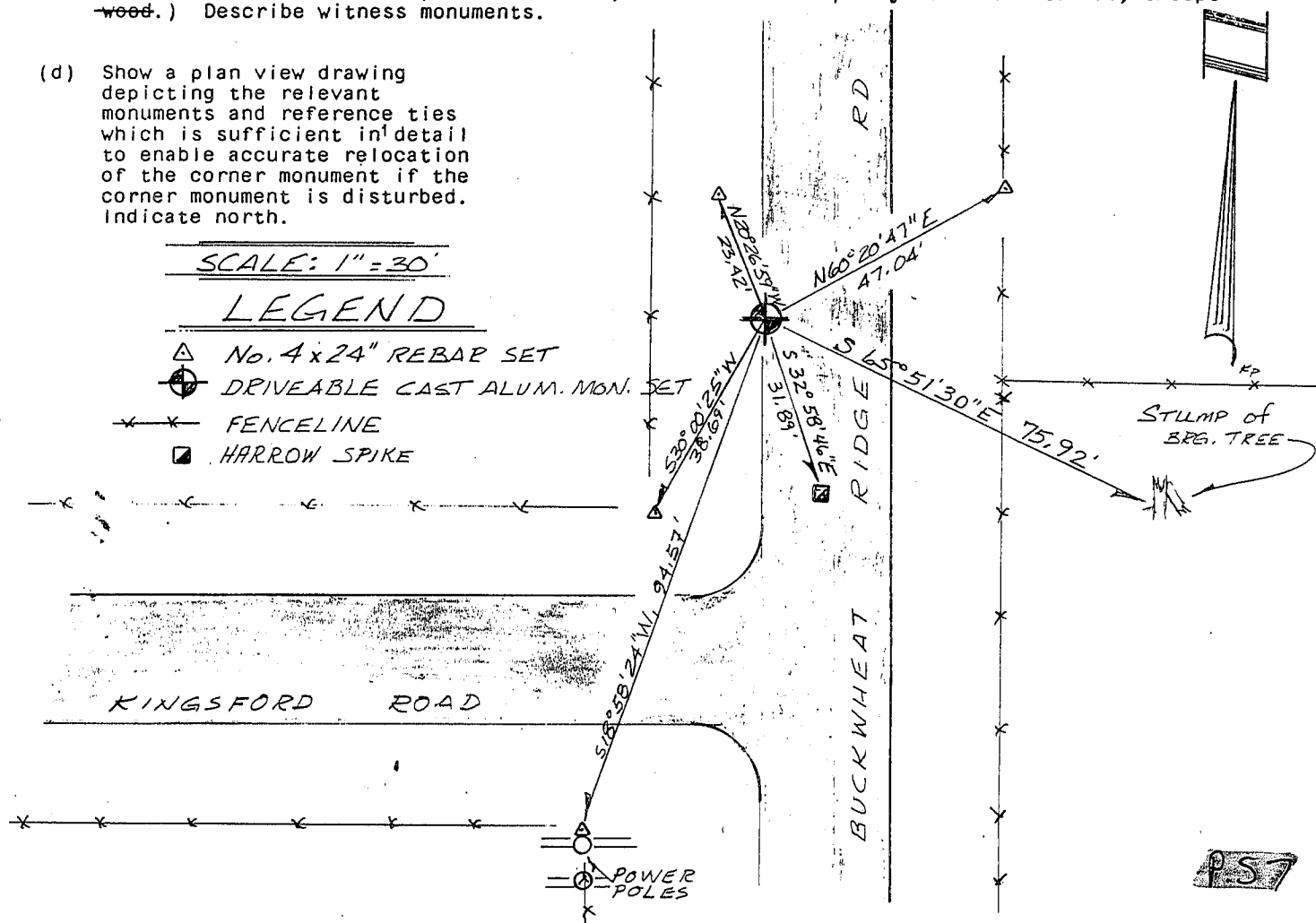


(b) Describe any record evidence, monument evidence, occupational evidence, testimonial evidence or any other material evidence you considered, and whether the monument was found or placed.

Monument set from tie to stump of original bearing tree,
Location verified with proportionate measurements from
an EDM traverse of the area.

(c) In the plan view drawing below, provide reference ties to at least 4 witness monuments, or, if the location is within a municipality, to at least 2 witness monuments. (Witness monuments shall be made of concrete, natural stone, iron or other equally durable material, ~~except wood.~~) Describe witness monuments.

(d) Show a plan view drawing depicting the relevant monuments and reference ties which is sufficient in detail to enable accurate relocation of the corner monument if the corner monument is disturbed. Indicate north.



- (e) Describe any material discrepancy between the location of the corner as restored or reestablished and the location of that corner as previously restored or reestablished by distance and direction. Show the discrepancy on the plan view drawing under (d), above. Show the distances between the corner as previously restored or reestablished and (1) the corner as restored or reestablished, and (2) to at least 2 of the witness monuments shown on the drawing in (d), above.

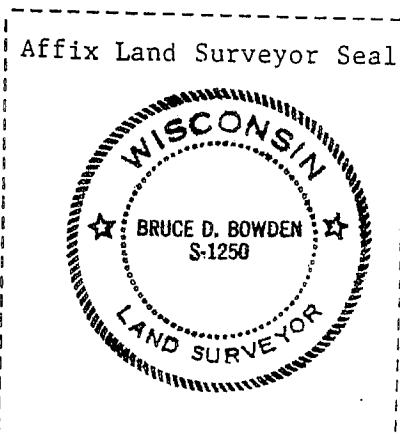
None..

- (f) Was the corner restored through acceptance of (1) an obliterated evidence location, or, (2) a found perpetuated location?

(2) A found perpetuated location.

- (g&h) Was the corner reestablished through lost corner proportionate methods? If so, show the method, including the directions and distances to other public land survey corners used as evidence or used for proportioning in determining the corner location?

No.



- (i) I, Bruce D. Bowden, R.L.S. - 1250
(type or print name) certify that the corner location shown on this record was determined by me or under my direction and control and that this U.S. Public Land Survey Monument Record is correct and complete to the best of my knowledge and belief.

Bruce D. Bowden
Signature

August 16, 1990
Date