

41012

# U.S. PUBLIC LAND SURVEY MONUMENT RECORD - GRANT COUNTY, WI

Section 6, Town 4 North Range 1 West, Town of Lima (a)

NOTE: This form is intended and designed to fulfill all requirements of the Wisconsin Administrative Code Chapter A-E 7.08, U.S. Public Land Survey Monument Record (3) (a) (b) (c) (d) (e) (f) (g) (h) (i).

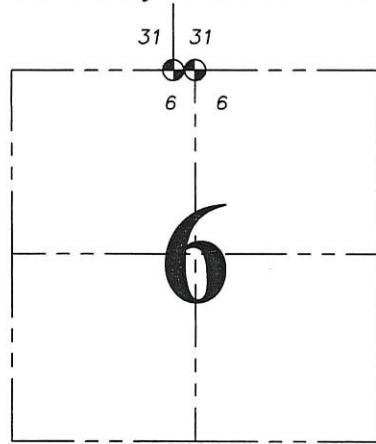
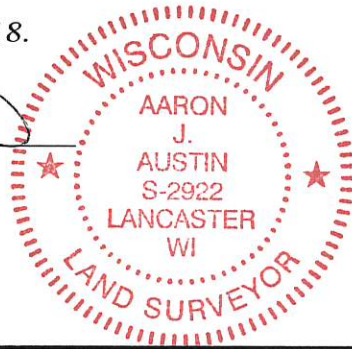
Grant County Corner I.D. 41012

CERTIFICATE: (i)

I, Aaron J. Austin, Wisconsin Professional Land Surveyor, do hereby certify that the corner location on this record was determined by me and/or under my direct supervision and that this U.S. Public Land Survey Monument Record is correct and complete to the best of my knowledge and belief.

Dated this 19th day of June, 2018.

*Aaron J. Austin*  
Aaron J. Austin, S-2922



⊕ = CORNER LOCATION

Grant County Coordinates:  
NAD 83 (2011)  
Northing: 526,957.10  
Easting: 865,714.35

HISTORY OF CORNER ESTABLISHMENT:

1877-Joel Barber set the original corner on a Survey filed in Book D, Page 14.  
1998-Larry Austin set a 3/4" rebar and prepared a Survey Monument Record dated 1-16-1998.

DESCRIPTION OF CORNER EVIDENCE FOUND: (b) (f) (g) (h)

I found the 3/4" rebar as established by Larry Austin and three witness corners. I set one witness corner after I verified the monument's location with G.P.S. and E.D.M. methods.

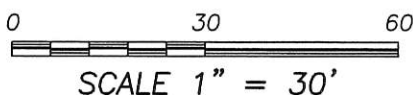
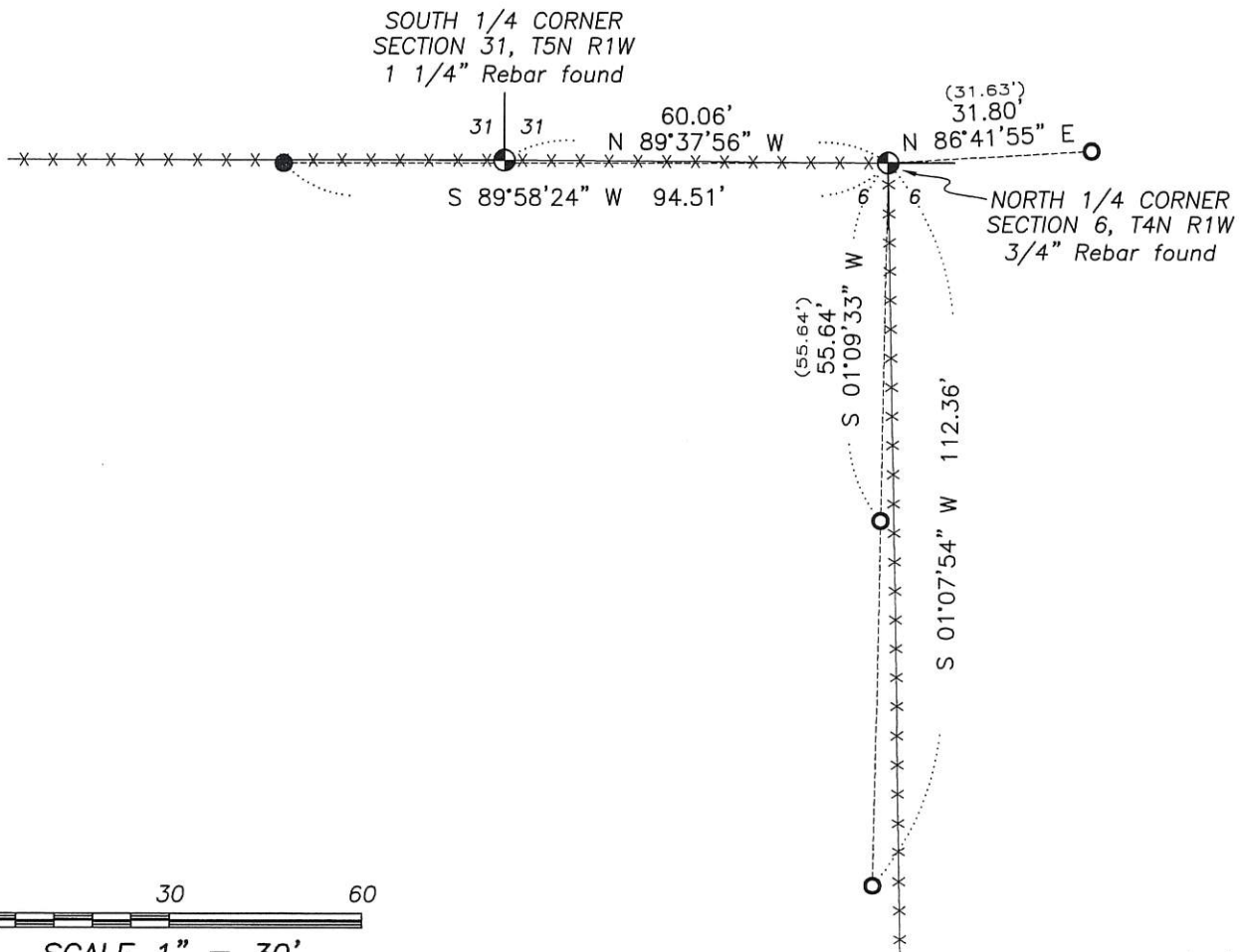
DESCRIPTION OF CORNER AND WITNESS MONUMENTS, references and accessories used to perpetuate the original or re-established location of this corner. (c) (d) (e)  
Witnesses to corner location Shane Austin, Owen Austin.

## LEGEND

- ⊕ Section Corner—as designated
- 3/4" x 18" rebar set with cap
- 1/2" rebar found
- x-x- Existing fence



SKETCH:

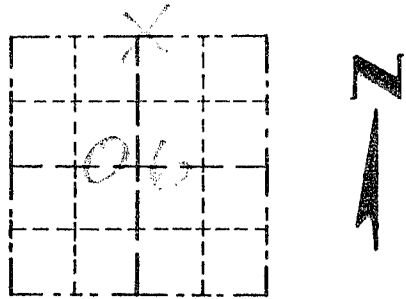


Survey Monument Record

TYPE OF MONUMENT 3/4" x 24" IRON  
BAR SET

CORNER NO. 12  
SECTION 06  
TOWN 14N  
RANGE 11W

FIELD BOOK: 96-08  
PAGE (18)



LOCATION  
(Indicated by "X")

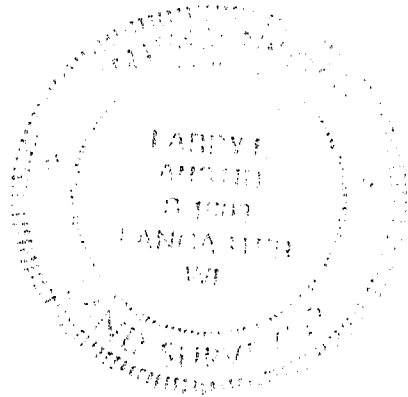
BASIS FOR MONUMENT LOCATION

(Use reverse side if necessary)

Show info such as: History of corner, with reference to Vol. and pg., dates, surveyor; exact description of monument replaced; if location computed, by taped or EDM traverse; landowner, remarks, etc.

SEAL:

CORNER WAS MEASURED TO IN 1876 BY JOEL BARBER. I SET THE CORNER AT THE RECORDED OFFSET FROM THE SOUTH 1/4 CORNER OF SECTION 31 T5N R1W. THIS FIT WELL WITH OCCUPATION. VERIFIED ITS LOCATION USING EDM METHODS.



CERTIFIED CORRECT

*Rory R. Post*  
Registered Land Surveyor

DATE: 1-16-98

TIE SKETCH

Show at least three (3) ties and monument

LEGEND

⊕ 3/4" x 24" IRON BAR SET

● 1 1/4" IRON BAR SET

XX EXISTING FENCE

