

# GRANT COUNTY U.S. PUBLIC LAND SURVEY MONUMENT RECORD

(A) IDENTIFY THE CORNER AS REFERENCED TO THE U.S. PUBLIC LAND SURVEY SYSTEM

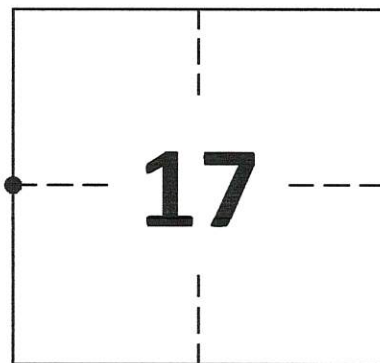
WITNESS TO CORNER LOCATION:  
BRIAN FOLZ & COLE ENGELHARDT

● = CORNER MONUMENT RESTORED

GEOGRAPHIC COORDINATES  
NAD 83 (2011) ADJUSTMENT

LATITUDE: 42°44'06.7534"  
LONGITUDE: -90°59'49.9737"

WISCONSIN STATE PLANE SOUTH ZONE (US SURVEY FEET):  
NORTHING: 269,565.915  
EASTING: 1,700,586.534

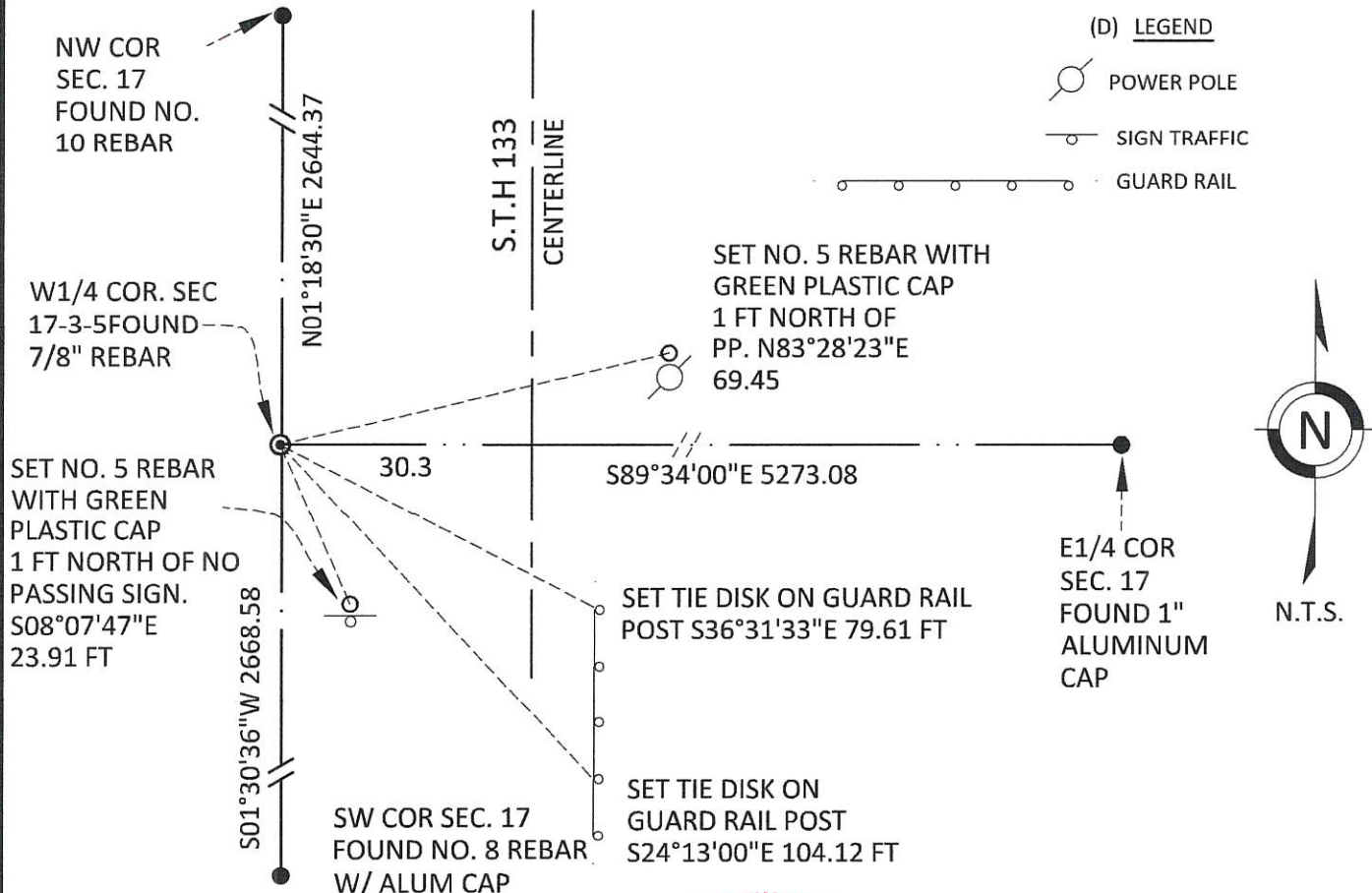


SECTION 17  
TOWNSHIP 3 NORTH, RANGE 5 WEST  
TOWN OF CASSEVILLE

(B) DESCRIBE ANY RECORD EVIDENCE, MONUMENT EVIDENCE, OCCUPATIONAL EVIDENCE, TESTIMONIAL EVIDENCE OR ANY OTHER MATERIAL EVIDENCE YOU CONSIDERED, AND WHETHER THE MONUMENT WAS FOUND OR PLACED.

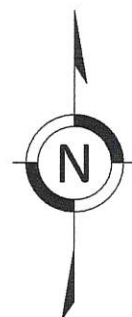
FOUND 7/8" REBAR SET BY MICHAEL G. ROCHON IN 2012. THIS FITS THE DIMENSIONS SHOWN ON HIS SURVEY.

(C) IN THE PLAN VIEW DRAWING BELOW, PROVIDE REFERENCE TIES TO AT LEAST 4 WITNESS MONUMENTS. WITNESS MONUMENTS SHALL BE MADE OF CONCRETE, NATURAL STONE, IRON, BEARING TREES OR ANY OTHER EQUALLY DURABLE MATERIAL. DEPICT THE RELEVANT MONUMENTS AND REFERENCE TIES WITH SUFFICIENT DETAIL TO ENABLE ACCURATE RELOCATION OF THE CORNER IF THE CORNER MONUMENT IS DISTURBED.



(D) LEGEND

- POWER POLE
- SIGN TRAFFIC
- GUARD RAIL



N.T.S.



**GRANT COUNTY  
U.S. PUBLIC LAND SURVEY MONUMENT RECORD**

(E) DESCRIBE ANY MATERIAL DISCREPANCY BETWEEN THE LOCATION OF THE CORNER AS RESTORED OR REESTABLISHED AND THE LOCATION OF THAT CORNER AS PREVIOUSLY RESTORED OR REESTABLISHED BY DISTANCE AND DIRECTION. SHOW THE DISCREPANCY ON THE PLAN VIEW DRAWING UNDER (D), ABOVE. SHOW THE DISTANCES BETWEEN THE CORNER AS PREVIOUSLY RESTORED OR REESTABLISHED AND (1) THE CORNER AS RESTORED OR REESTABLISHED, AND (2) TO AT LEAST 2 OF THE WITNESS MONUMENTS SHOWN ON THE DRAWING IN (D) ABOVE.

N/A

(F) WAS THE CORNER RESTORED THROUGH ACCEPTANCE OF (1) AN OBLITERATED EVIDENCE LOCATION, OR (2) A FOUND PERPETUATED LOCATION?


FOUND AT PERPETUATED LOCATION

(G&H) WAS THE CORNER REESTABLISHED THROUGH LOST CORNER PROPORTIONATE METHODS? IF SO, SHOW THE METHOD, INCLUDING THE DIRECTIONS AND DISTANCES TO OTHER PUBLIC LAND SURVEY CORNERS USED AS EVIDENCE OR USED FOR PROPORTIONING IN DETERMINING THE CORNER LOCATION.

N/A

1. CORNER HISTORY: IN 1833 LUCIAS LYON SET ORIGINAL CORNER
2. IN 1951 WISDOT HWY PLAN SHOWS THIS CORNER BEING 29.5 FEET WEST OF CENTERLINE OF STH 133
3. IN 2012 MICHAEL G. ROCHON, BOOK 31, PAGE 18, SET A 7/8" REBAR 2665.35 FEET NORTH OF THE SW CORNER
4. IN 2013 AARON J. AUSTIN, BOOK 33, PAGE 38, FOUND A NO. 7 REBAR AND MEASURED 2644.46 FEET TO THE NW CORNER
5. IN 2020 GREGG STROEING ACCEPTED THIS POSITION OF THE NO. 7 REBAR AND VERIFIED AND SET NEW TIES AS SHOWN IN PART C

(I) I, GREGG STROEING P.L.S. - 2753, CERTIFY THAT THE CORNER LOCATION SHOWN ON THIS RECORD WAS DETERMINED BY ME OR UNDER MY DIRECTION AND CONTROL AND THAT THIS U.S. PUBLIC LAND SURVEY MONUMENT RECORD IS CORRECT AND COMPLETE TO THE BEST OF MY KNOWLEDGE AND BELIEF.

  
SIGNATURE \_\_\_\_\_ DATE 11/05/2020



CORNER NO. 55