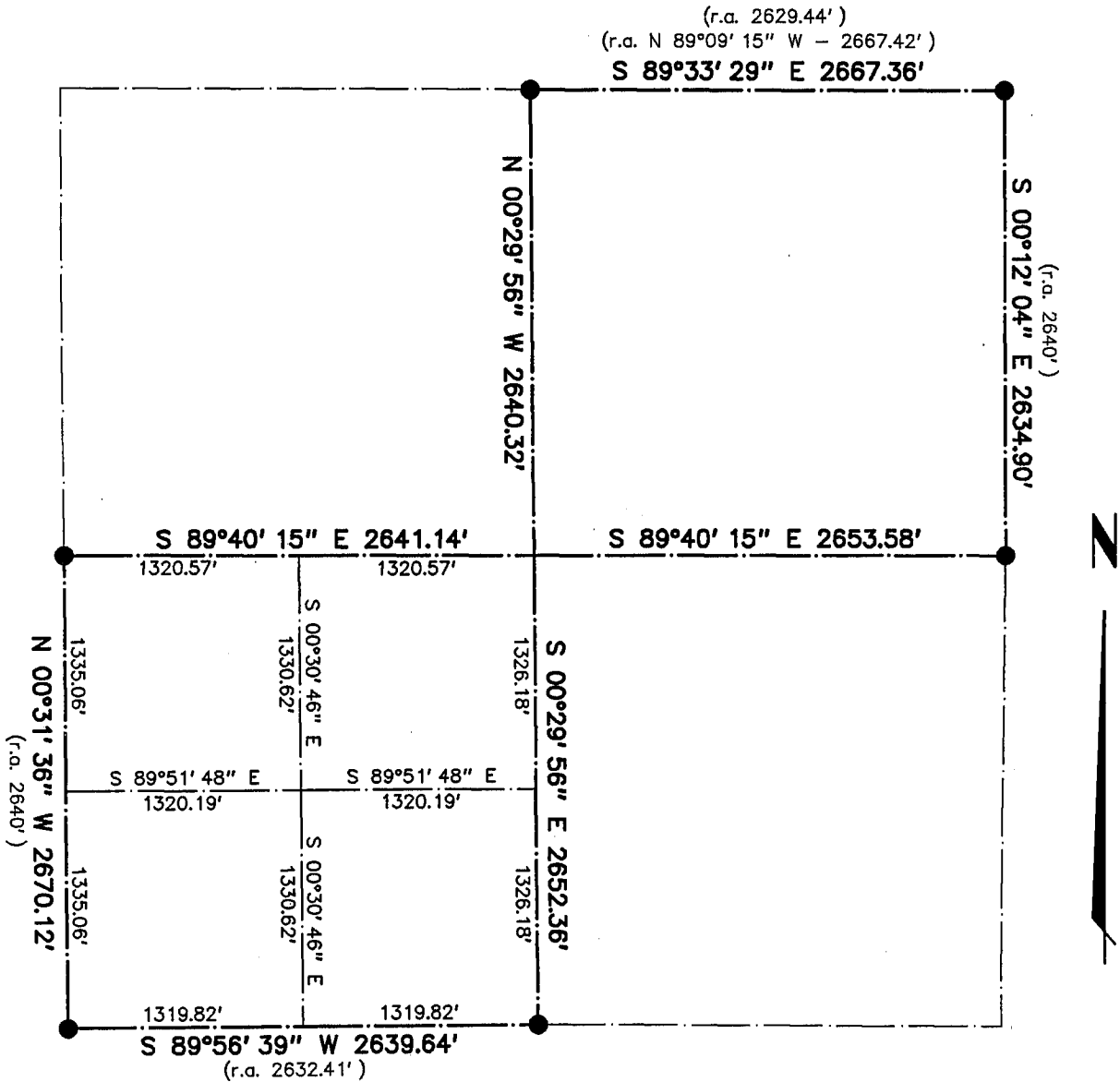
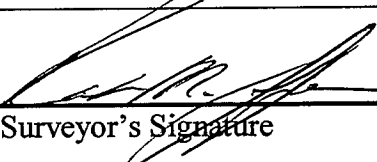
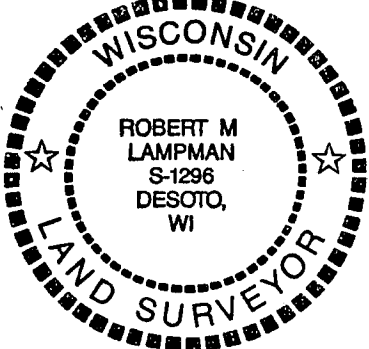


GRANT COUNTY SECTION DATA SHEET

Section 24 , Town 3 North, Range 4 West



Bearings referenced to the Grant County Coordinate System.

 Surveyor's Signature Date: <u>11-17-1999</u>  Seal	Corner	Monument Description
	S ¼ Corner	Set ¾" x 30" Iron Bar w/ Grant Co. Alum. Cap
	SW Corner	Set ¾" x 30" Iron Bar w/ Grant Co. Alum. Cap
	W ¼ Corner	Set ¾" x 30" Iron Bar w/ Grant Co. Alum. Cap
	N ¼ Corner	Existing ¾" Iron Bar
	NE Corner	Existing ¾" Iron Bar
	E ¼ Corner	Set ¾" x 30" Iron Bar w/ Grant Co. Alum. Cap