

CERTIFIED LAND CORNER

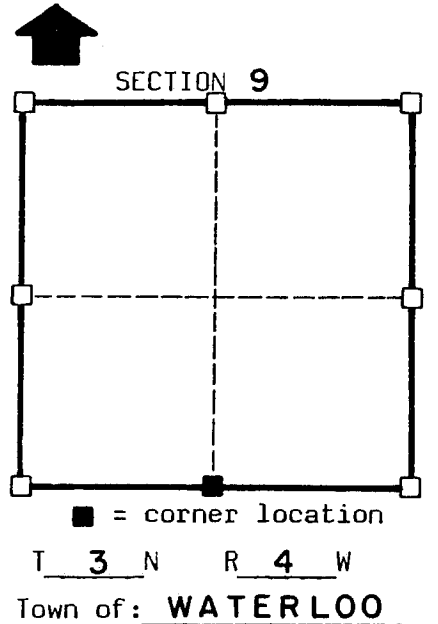
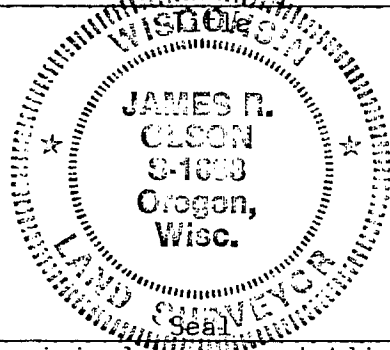
STATE OF WISCONSIN)
 COUNTY OF GRANT) S.S.

CERTIFICATE

I, James R. Olson, do hereby certify that on the 8 day of Dec. 1983, I found (evidence) ~~(no evidence)~~ of the S $\frac{1}{4}$ corner of Section 9, T 3 N, R 4 W, Fourth Principal Meridian, and I re-established said corner according to the Wisconsin Statutes as shown and described hereon.

Dated this 21 day of Dec. 19 83

James R. Olson
 Registered Land Surveyor S-1698



History of original corner establishment:

~~Found no history of corner since original government survey.~~
 Corner was used in a survey by Joel Barber, county surveyor, dated 12-11-1876

Description of corner evidence found:

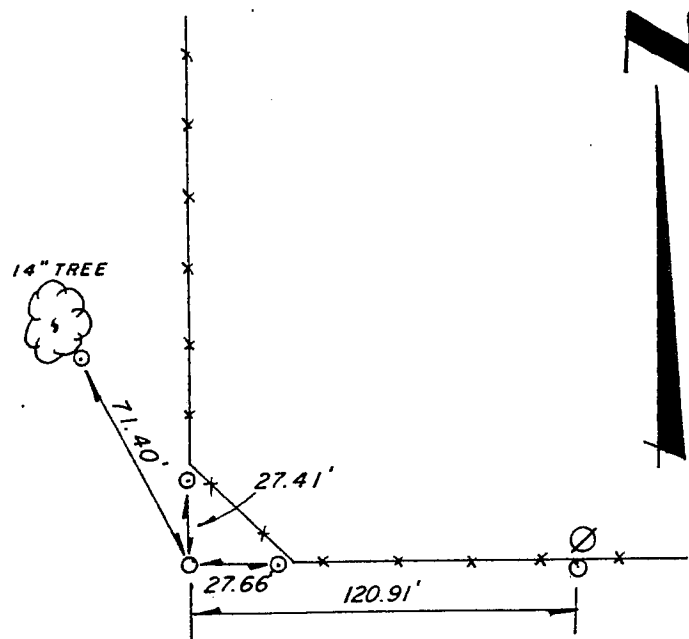
Found and accepted fence corner location.
 No bearing trees found.

Description of corner and witness monuments, references and accessories used to perpetuate the original or re-established location of this corner:

Witnesses to corner location:

James R. Olson
Kevin Roder

Sketch:



Legend

- x x Fenceline
- ⊙ Power Pole
- 1" ⌀ Iron pipe

SURVEY CONTROL ORDER

horizontal

vertical

WISCONSIN COORDINATE SYSTEM

Corner	East(X)	North(Y)	Elevation(Z)	Zone
Control Sta. Name				