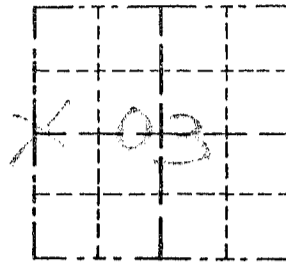


Survey Monument Record

TYPE OF MONUMENT 3/4" X 24" IRON
BAR SET

CORNER NO. 17
 SECTION 03
 TOWN 30
 RANGE 20

FIELD BOOK: 96-07
 PAGE (21)



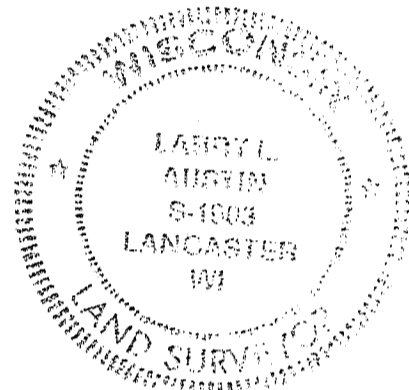
BASIS FOR MONUMENT LOCATION

(Use reverse side if necessary)

Show info such as: History of corner, with reference to Vol. and pg, dates, surveyor; exact description of monument replaced; if location computed, by taped or EDM traverse; landowner, remarks, etc.

SEAL:

CORNER SET IN 1833 BY ROBERT CLARK, NO RECORD OF CORNER FOUND SINCE ORIGINAL SURVEYS. I SET THE CORNER ONLINE BETWEEN THE NW CORNER AND THE SW CORNER OF THE SECTION AT PROPORTIONATE DISTANCE BETWEEN THE CORNERS. VERIFIED THIS LOCATION BY EDM TRAVERSE OF THE AREA.



CERTIFIED CORRECT

Larry L. Austin
 Registered Land Surveyor

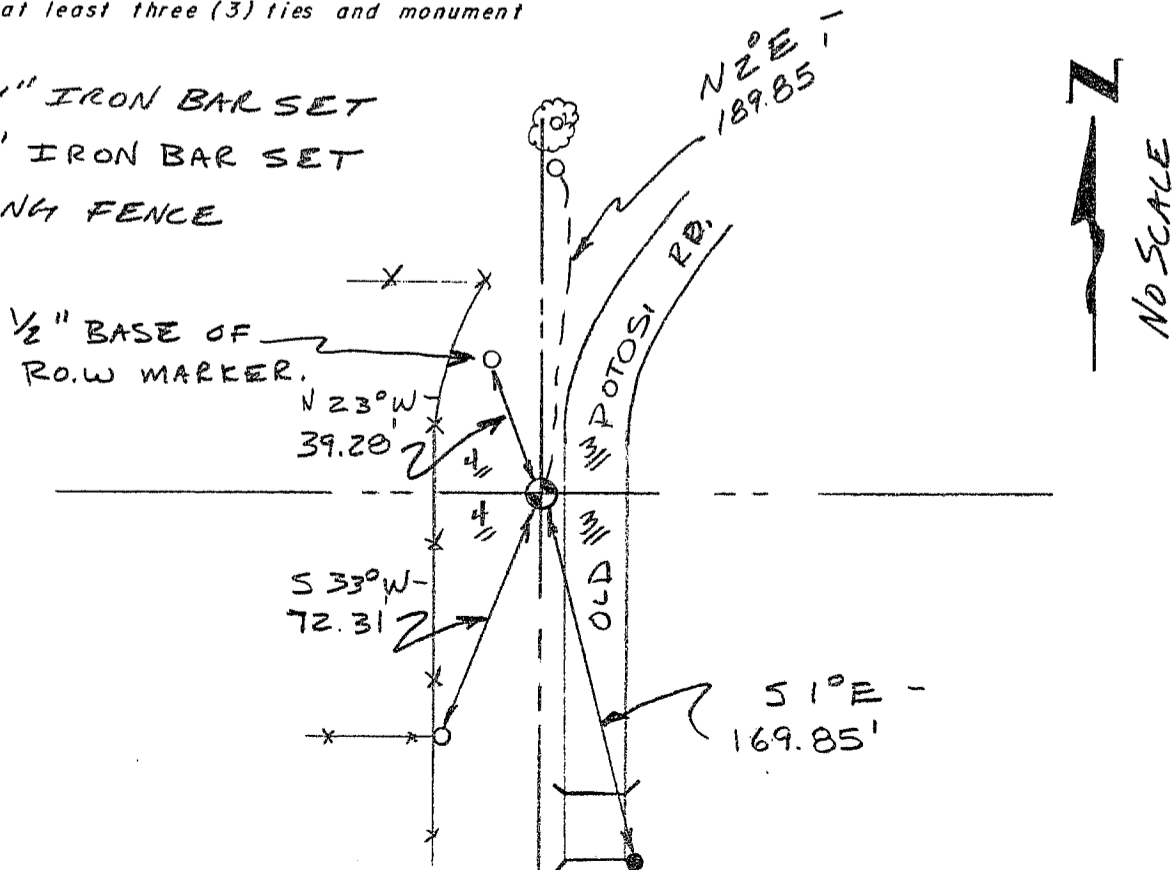
DATE: 12/20/97

TIE SKETCH

Show at least three (3) ties and monument

LEGEND

- ⊙ 3/4" X 24" IRON BAR SET
- 1/2" X 15" IRON BAR SET
- ** EXISTING FENCE



NO SCALE