

U.S. PUBLIC LAND SURVEY MONUMENT RECORD - GRANT COUNTY, WI

Section 4, Town 3 North Range 1 West, Town of Platteville (a)

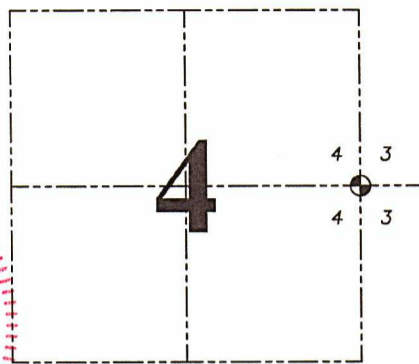
NOTE: This form is intended and designed to fulfill all requirements of the Wisconsin Administrative Code Chapter A-E 7.08, U.S. Public Land Survey Monument Record (3) (a) (b) (c) (d) (e) (f) (g) (h) (i).

CERTIFICATE: (i)

I, Aaron J. Austin, Wisconsin Professional Land Surveyor, do hereby certify that the corner location on this record was determined by me and/or under my direct supervision and that this U.S. Public Land Survey Monument Record is correct and complete to the best of my knowledge and belief.

Dated this 27th day of September, 2022.

Aaron J. Austin
Aaron J. Austin, S-2922



⊕ = CORNER LOCATION

Grant County Coordinates:
NAD 83 (2011)
Northing: 492,525.73
Easting: 879,413.51

HISTORY OF CORNER ESTABLISHMENT:

Original corner was set in 1833 by Robert Clark. Matthew Janiak found an 1 1/2" Iron Pipe and prepared a Survey Monument Record dated 5/16/1990.

DESCRIPTION OF CORNER EVIDENCE FOUND: (b) (f) (g) (h)

I found a Aluminum Capped Rebar in the location of the Iron Pipe. I found the existing witness corners Janiak set after I verified the Monument's location with G.P.S. and E.D.M. methods.

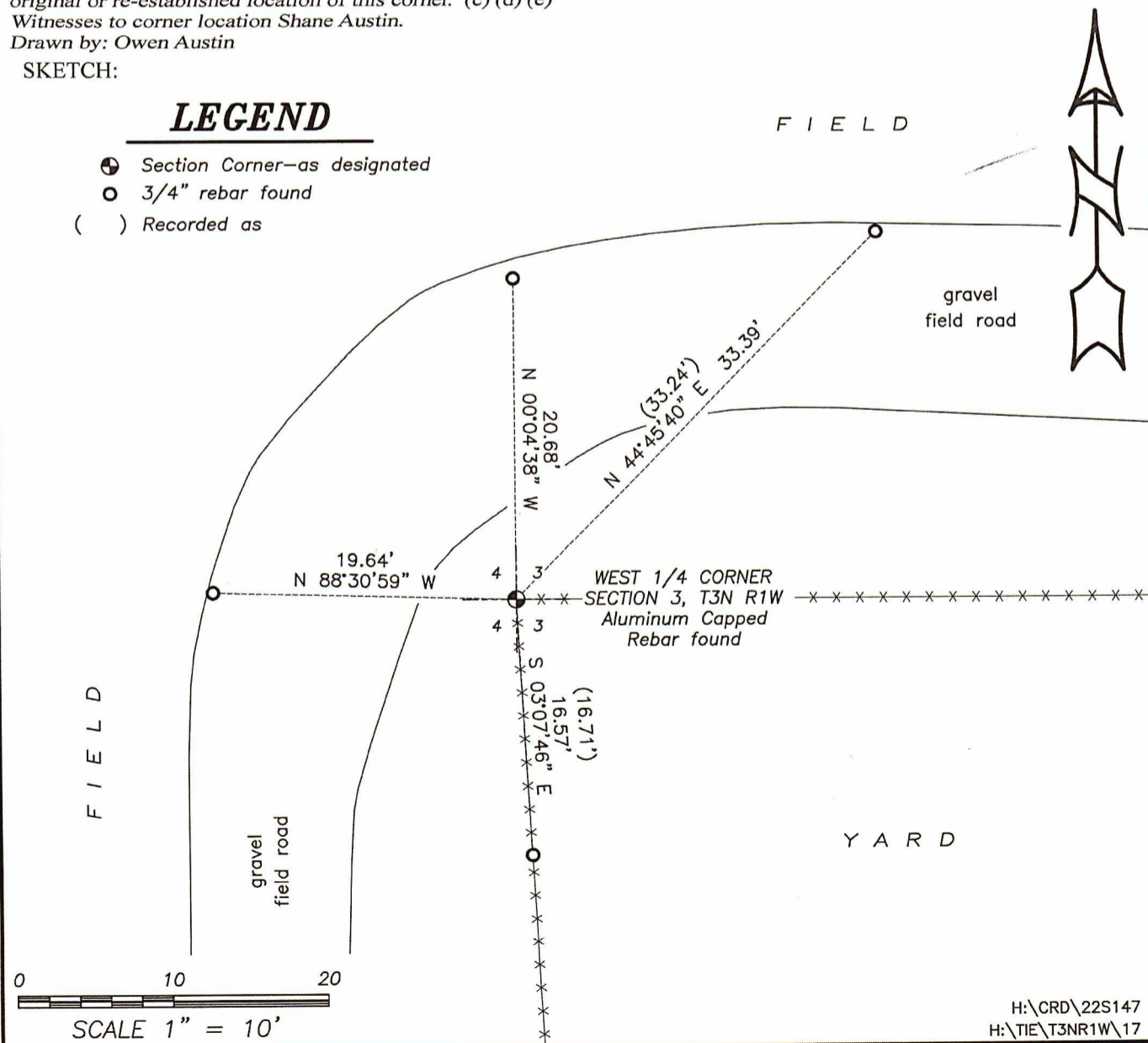
DESCRIPTION OF CORNER AND WITNESS MONUMENTS: references and accessories used to perpetuate the original or re-established location of this corner. (c) (d) (e)

Witnesses to corner location Shane Austin.
Drawn by: Owen Austin

SKETCH:

LEGEND

- ⊕ Section Corner—as designated
- 3/4" rebar found
- () Recorded as



MAY 25 1990

GRANT COUNTY

GOVERNMENT CORNER RECORD

EAST 1/4 CORNER, SECTION 4, TOWNSHIP 3 NORTH, RANGE 1 EAST - WEST,
TOWN, CITY OR VILLAGE OF PLATTEVILLE, RICHLAND CO.

TYPE OF MONUMENT: 1-1/2" IRON PIPE ELEVATION - M.S.L. DATUM _____

STATE PLANE COORDINATES: N _____

WISCONSIN SOUTH ZONE E _____

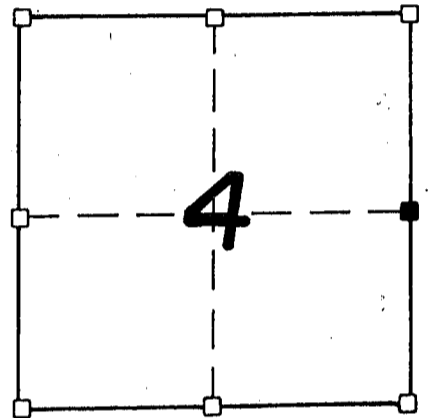
WITNESSES TO CORNER LOCATION

SEAN M. WALSH

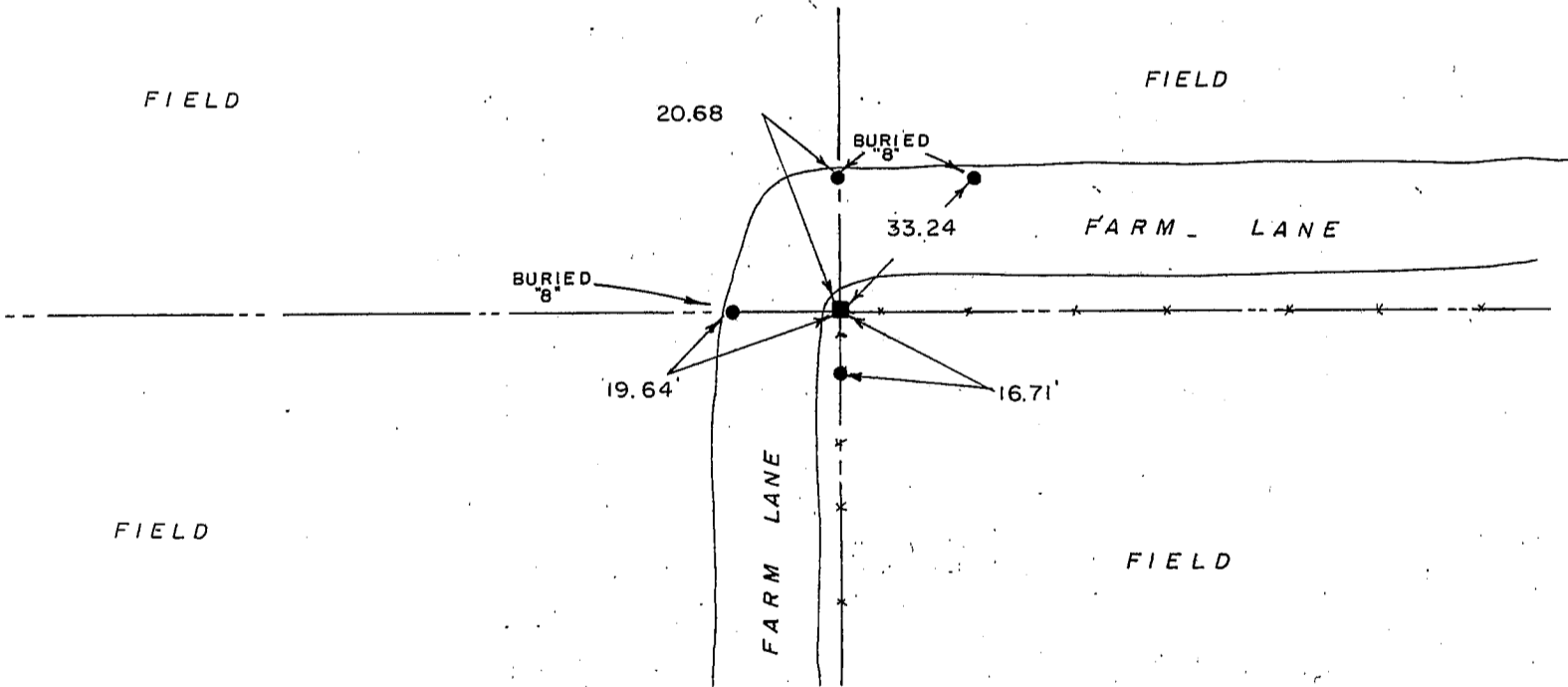
PATRICK J. DEDERICH



SECTION 4, T 3 N, R 1 W
TOWN OF PLATTEVILLE



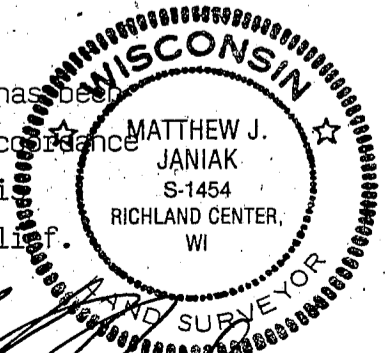
TIE SKETCH
(SHOW ALL HELPFUL FEATURES)



SURVEYOR'S CERTIFICATE
STATE OF WISCONSIN)
RICHLAND COUNTY)SS

SEAL S-1454

I, Matthew J. Janiak, DO HEREBY CERTIFY THAT the above corner has been
accepted and perpetuated under my direction and supervision in accordance
with the information contained hereon and that this information is
correct and true to the best of my information, knowledge and belief.



DATED THIS 15TH DAY OF MAY, 19 90

REGISTERED LAND SURVEYOR

CORNER CODE