

U.S. PUBLIC LAND SURVEY MONUMENT RECORD - GRANT COUNTY, WI

Section 1, Town 2 North Range 4 West, Town of Waterloo (a)

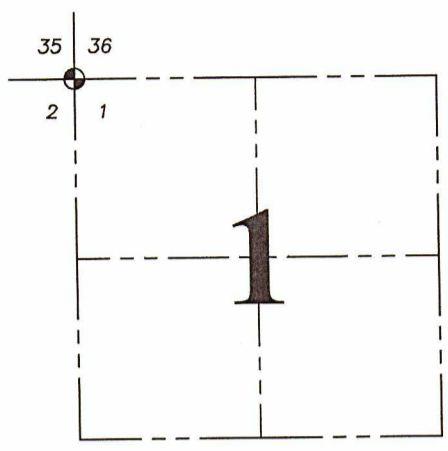
NOTE: This form is intended and designed to fulfill all requirements of the Wisconsin Administrative Code Chapter A-E 7.08, U.S. Public Land Survey Monument Record (3) (a) (b) (c) (d) (e) (f) (g) (h) (i).

CERTIFICATE: (i)

I, Aaron J. Austin, Wisconsin Professional Land Surveyor, do hereby certify that the corner location on this record was determined by me and/or under my direct supervision and that this U.S. Public Land Survey Monument Record is correct and complete to the best of my knowledge and belief.

Dated this 20th day of November, 2021

Aaron J. Austin
Aaron J. Austin, S-2922



⊕ = CORNER LOCATION

Grant County Coordinates:
NAD 83 (2011)
Northing: 463,327.77
Easting: 794,961.42

HISTORY OF CORNER ESTABLISHMENT:

Original corner was set in 1832 by Lucius Lyon.
Curtis Crook set a D.O.T. Monument and prepared a Survey Monument Record dated 5/25/1989.

DESCRIPTION OF CORNER EVIDENCE FOUND: (b) (f) (g) (h)

I found the D.O.T. Aluminum Monument and one existing witness corner Crook set. I set three additional witness corners after I verified the Monument's location with G.P.S. and E.D.M. methods.

DESCRIPTION OF CORNER AND WITNESS MONUMENTS, references and accessories used to perpetuate the original or re-established location of this corner. (c) (d) (e)

Witnesses to corner location Shane Austin.
Drawn by Owen Austin

SKETCH:

