

U.S. PUBLIC LAND SURVEY MONUMENT RECORD - GRANT COUNTY, WI

Section 1, Town 2 North Range 4 West, Town of Waterloo (a)

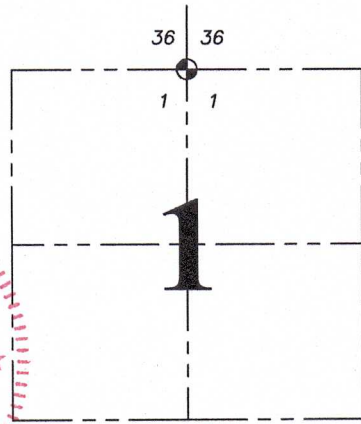
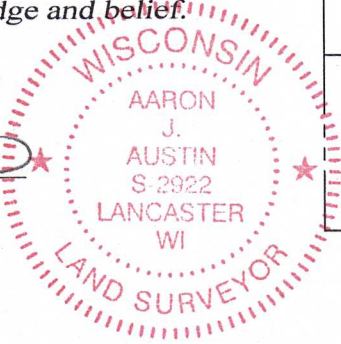
NOTE: This form is intended and designed to fulfill all requirements of the Wisconsin Administrative Code Chapter A-E 7.08, U.S. Public Land Survey Monument Record (3) (a) (b) (c) (d) (e) (f) (g) (h) (i).

CERTIFICATE: (i)

I, Aaron J. Austin, Wisconsin Professional Land Surveyor, do hereby certify that the corner location on this record was determined by me and/or under my direct supervision and that this U.S. Public Land Survey Monument Record is correct and complete to the best of my knowledge and belief.

Dated this 9th day of August, 2023.

Aaron J. Austin
Aaron J. Austin, S-2922



⊙ = CORNER LOCATION

Grant County Coordinates:
NAD 83 (2011)
Northing: 463,277.66
Easting: 797,603.09

HISTORY OF CORNER ESTABLISHMENT:

Original corner was set in 1833 by Lucius Lyon.
F. Curtis Crook set a D.O.T. Aluminum Monument and prepared a Survey Monument Record 5-25-1989.

DESCRIPTION OF CORNER EVIDENCE FOUND: (b) (f) (g) (h)

I found the Aluminum Monument Crook set. I set four witness corners after I verified the Monument's location with G.P.S. and E.D.M. methods.

DESCRIPTION OF CORNER AND WITNESS MONUMENTS: references and accessories used to perpetuate the original or re-established location of this corner. (c) (d) (e)

Witnesses to corner location Shane Austin, Aaron Austin.
Drawn by: Owen Austin.

SKETCH:

LEGEND

- ⊙ Section Corner—as designated
- 3/4" x 18" rebar set

