

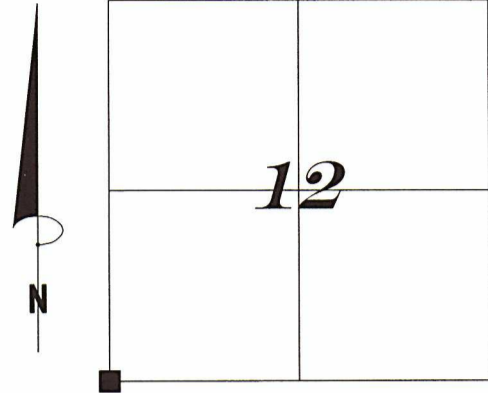
U.S. PUBLIC LAND SURVEY MONUMENT RECORD

GRANT COUNTY, WISCONSIN

CORNER:
SOUTHWEST CORNER
SECTION 12, T 2 N, R 1 W
GRANT COUNTY, WISCONSIN

Grant County Coordinates:
NAD 83 (2011)

Northing = 452,754.81
Easting = 890,321.17



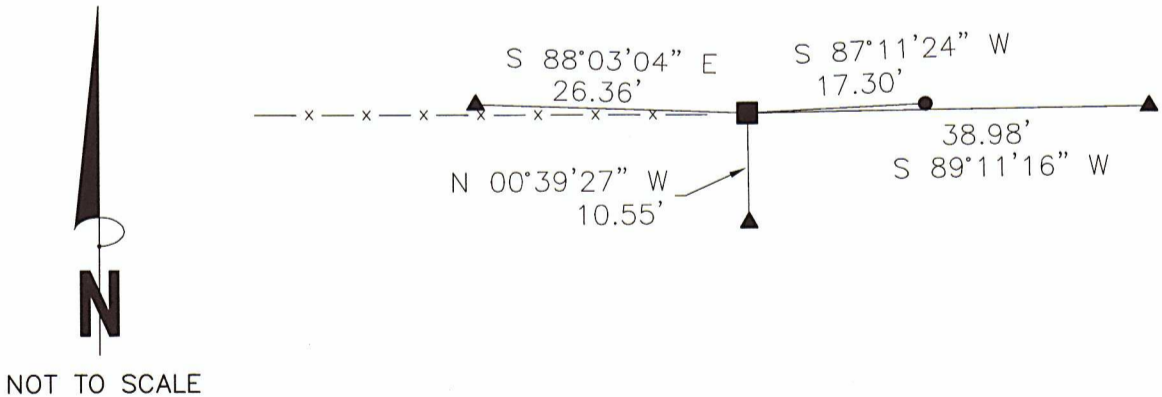
History of original corner establishment and subsequent restorations and descriptions of any record. Monument, occupation, testimonial or other evidence considered.

Record of evidence is the original Government survey in 1832 by Lucious Lyon.
In 1846 Wiltse shows the corner on a survey filed in Book B, Page 33.
In 1973 Richard Talarczyk set a Aluminum Monument and filed a U.S. Public Land Survey Record.

It appeared the fence line had been cleaned out and the monument and ties had been obliterated. I located a old wood fence post remains down 2' that agreed with Talarczyk's location and I placed a 1" x 30" Rebar.

LEGEND

- = Set 1"x 30" rebar
- ▲ = Set 3/4"x 18" rebar
- = Set 5/8"x 18" rebar



I, Joseph D. Niles, Wisconsin Professional Land Surveyor, S-2896, certify that the corner location shown on this record was determined by me of under my direction and control and that this U.S. Public Land Survey Monument record is correct and complete to the best of my knowledge and belief.

Dated this 2/5th day of March, 2022

Joseph D. Niles
Joseph D. Niles, S-2896
Professional Land Surveyor



RECORD OF U.S. PUBLIC LAND SURVEY CONTROL STATION

QUARTER SECTION CORNER $\frac{1112}{4113}$ TOWNSHIP 2 N, RANGE 1W ~~X~~, GRANT COUNTY, WISCONSIN

GEODETTIC SURVEY BY: _____

STATE PLANE COORDINATES OF: _____
 NORTH _____
 EAST _____

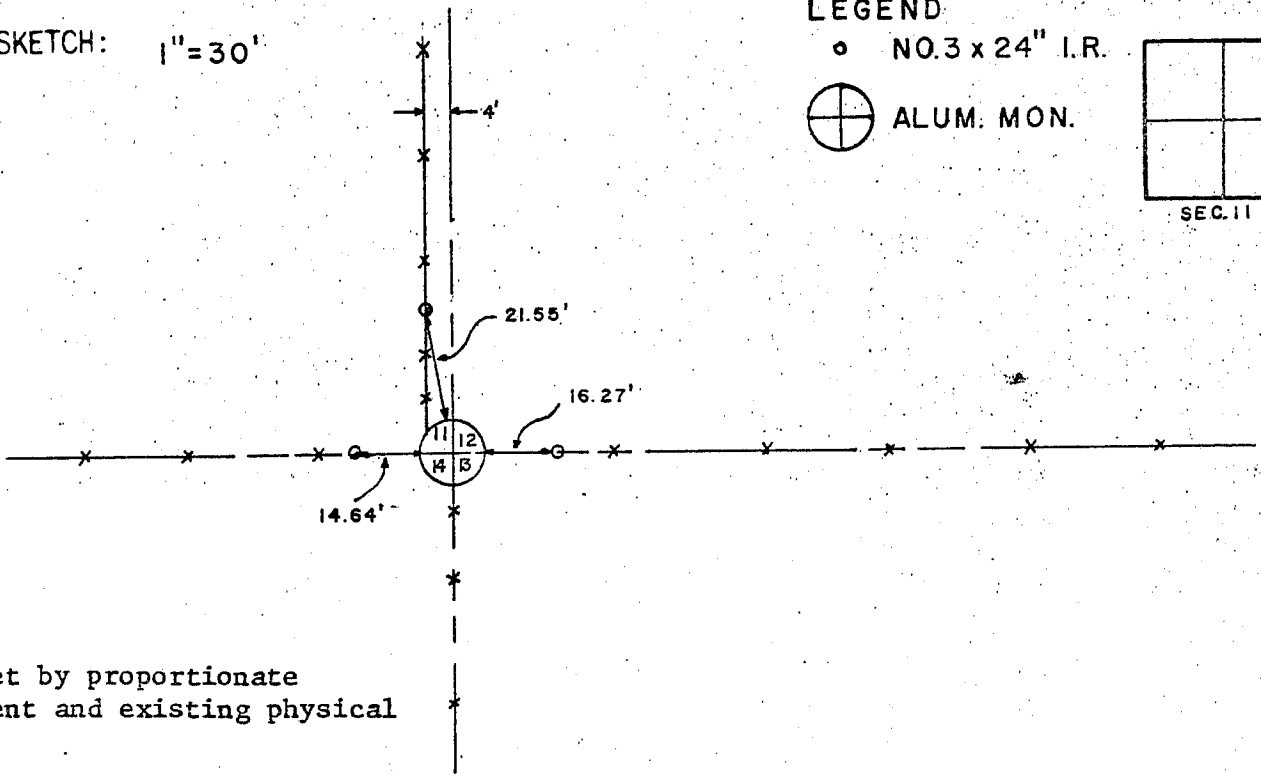
ELEVATION OF STATION: _____ THETA ANGLE: _____

HORIZONTAL DATUM: WISCONSIN STATE PLANE COORDINATE SYSTEM, SOUTH ZONE

VERTICAL DATUM: MEAN SEA LEVEL, 1929 ADJUSTMENT

HORIZONTAL & VERTICAL CONTROL ACCURACY: SECOND ORDER

LOCATION SKETCH: 1" = 30'



Corner set by proportionate measurement and existing physical evidence.

SURVEYOR'S AFFIDAVIT:

STATE OF WISCONSIN)
Green COUNTY) SS

I HEREBY CERTIFY THAT I, Richard D. Talarczyk, have complied with the Wisconsin Statutes, Statutes of the United States, and the rules and regulations made by the Secretary of the interior in the location of the corner shown above.

DATE OF SURVEY: 7-23-73 to 11-21-73 *Richard D. Talarczyk*



RECORD OF U.S. PUBLIC LAND SURVEY CONTROL STATION

QUARTER SECTION CORNER $\frac{1112}{1413}$ TOWNSHIP 2 N, RANGE 1W $\frac{1}{8}$, GRANT COUNTY, WISCONSIN

GEODETTIC SURVEY BY: _____

STATE PLANE COORDINATES OF: _____
 NORTH _____
 EAST _____

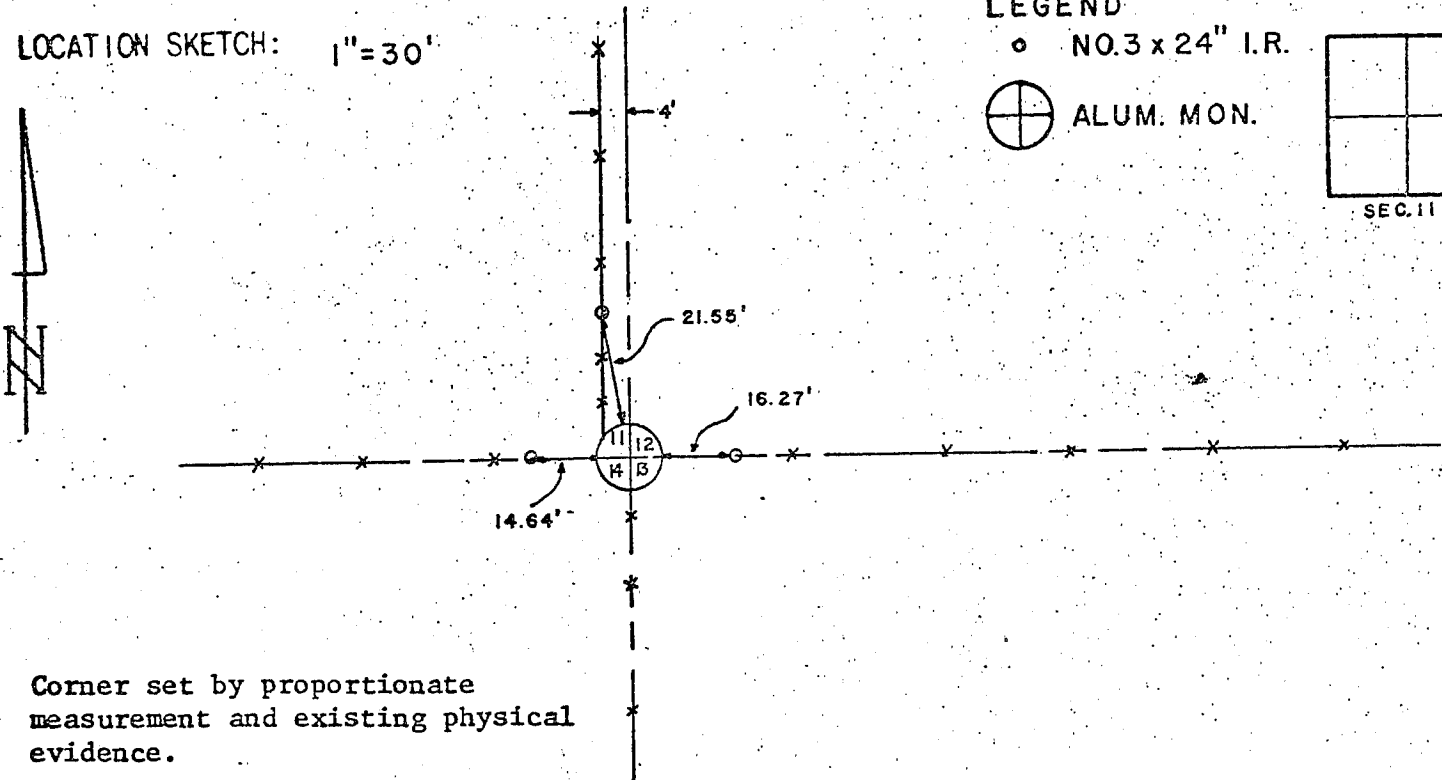
ELEVATION OF STATION: _____ THETA ANGLE: _____

HORIZONTAL DATUM: WISCONSIN STATE PLANE COORDINATE SYSTEM, SOUTH ZONE

VERTICAL DATUM: MEAN SEA LEVEL, 1929 ADJUSTMENT

HORIZONTAL & VERTICAL CONTROL ACCURACY: SECOND ORDER

LOCATION SKETCH: 1" = 30'



Corner set by proportionate measurement and existing physical evidence.

SURVEYOR'S AFFIDAVIT:

STATE OF WISCONSIN)
Green COUNTY) SS

I HEREBY CERTIFY THAT I, Richard D. Talarczyk, have complied with the Wisconsin Statutes, Statutes of the United States, and the rules and regulations made by the Secretary of the interior in the location of the corner shown above.

DATE OF SURVEY: 7-23-73 to 11-21-73

Richard D. Talarczyk

