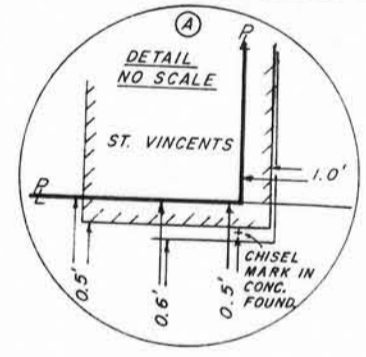
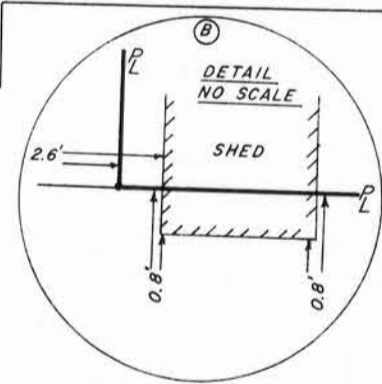
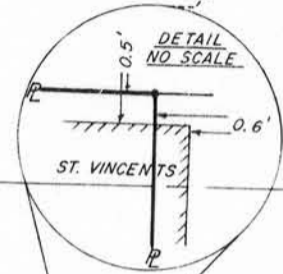
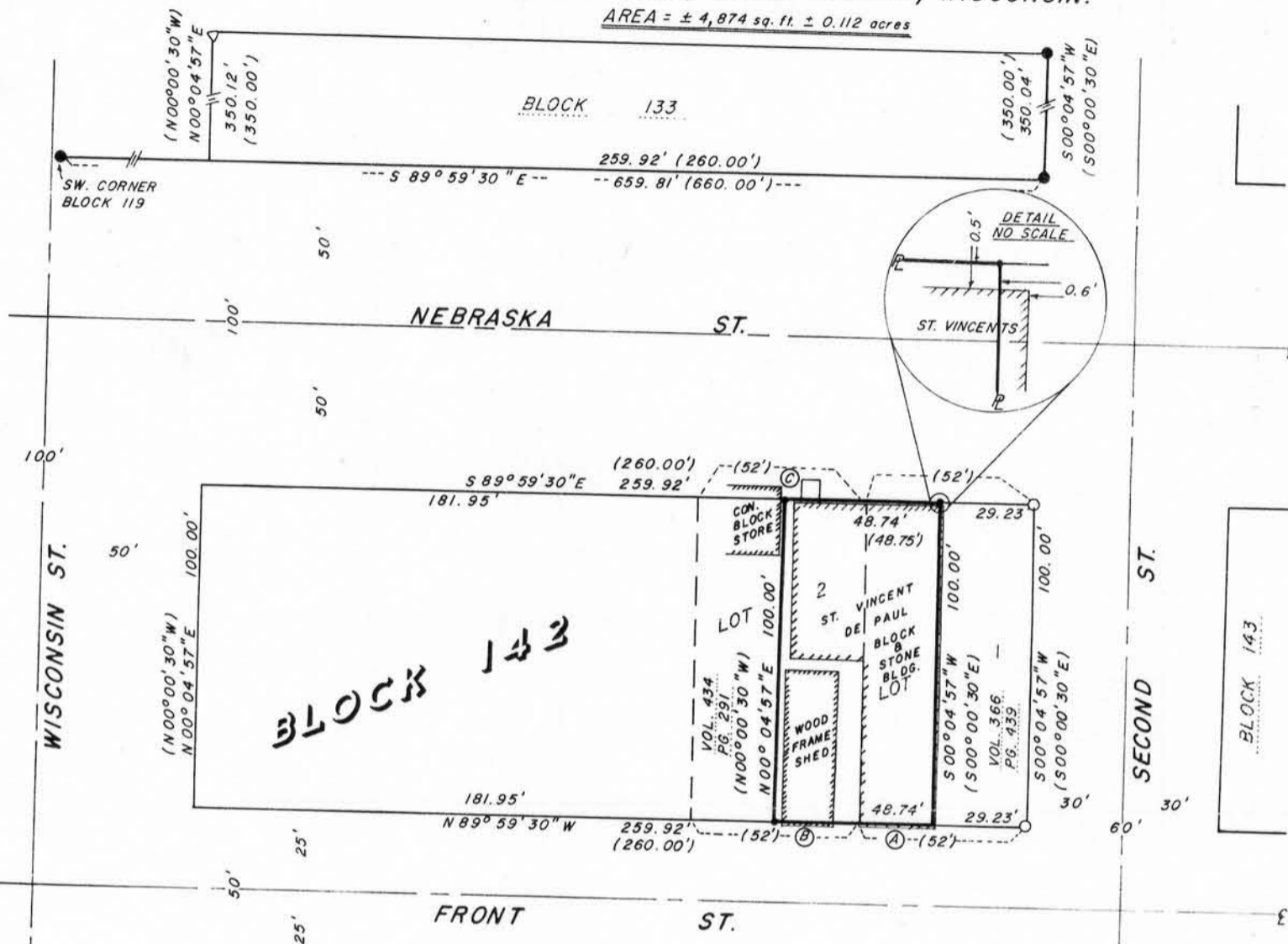


Village

MAP OF SURVEY

BEING PART OF LOTS 1 & 2, BLOCK 142, ORIGINAL PLAT OF THE VILLAGE OF MUSCODA, LOCATED IN THE SE 1/4 OF THE NW 1/4 OF SECTION 12, T8N, R1W, VILLAGE OF MUSCODA, GRANT COUNTY, WISCONSIN.

AREA = ± 4,874 sq. ft. ± 0.112 acres



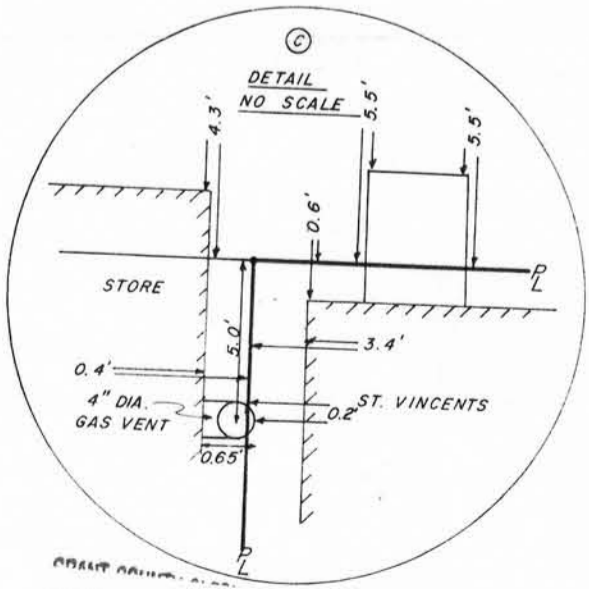
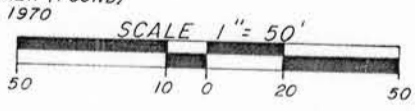
BASIS OF BEARINGS

THE NORTH LINE OF NEBRASKA ST. IS ASSUMED TO BEAR: S 89° 59' 30\"/>

LEGEND

- 1 1/4" REBAR (FOUND) AS PER ANTHONY THOUSAND SURVEY SEP. 1, 1970
- △ PUNCH HOLE IN CONCRETE SIDEWALK (FOUND) AS PER THOUSAND SURVEY SEP. 1, 1970
- 1 1/4" IRON PIPE (FOUND)
- 3/4" x 24" REBAR (SET) WEIGHING 1.50 LBS./L.F.

() "RECORDED AS" INFORMATION



GENERAL ENGINEERING COMPANY, INC.
 CONSULTING ENGINEERS
 412 E. SLIFER ST. P.O. BOX 340
 PORTAGE, WISCONSIN 53901

ST. VINCENT DE PAUL SURVEY
 PART OF LOTS 1 & 2, BLOCK 142, PLAT OF MUSCODA, SE 1/4 - NW 1/4 SEC. 12 - 8 - 1, VILL. OF MUSCODA, GRANT CO., WISCONSIN.

DRAWN BY J. Mc DONALD SCALE 1" = 50'
 CHECKED BY _____ DATE AUG. 1, 1985
 FILE NO. 785 - 99 REVISED _____

DANIEL A. PAULSON
 SURVEYOR
 BARABOO, WI

AUG 8 1985
 RECEIVED

SURVEYOR'S CERTIFICATE

I, DANIEL A. PAULSON, Registered Land Surveyor, DO HEREBY CERTIFY that under the direction of WILFORD AIDE, President, St. Vincent de Paul Society, Muscoda Conference, I have surveyed, monumented and mapped the West 22.75 feet of Lot 1 and the East Half of Lot 2, Block 142, Original Plat of the Village of Muscoda, Grant County, Wisconsin, described as follows:

"Commencing at the Southeast Corner of said Block 142; thence North $89^{\circ}59'30''$ West along the south line of said Block 142, 29.23 feet to the Point of Beginning; thence continuing North $89^{\circ}59'30''$ West along said south line of Block 142, 48.74 feet; thence North $0^{\circ}04'57''$ East (recorded as North $0^{\circ}00'30''$ West), 100.00 feet to the north line of said Block 142; thence South $89^{\circ}59'30''$ East along said north line of Block 142, 48.74 feet; thence South $0^{\circ}04'57''$ West (recorded as South $0^{\circ}00'30''$ East), 100.00 feet to the Point of Beginning, containing 0.112 acres (4,874 square feet) more or less. Intending to describe properties recorded in Volume 501, Page 882 and Volume 519, Page 543."

I DO FURTHER CERTIFY that this survey is correct to the best of my knowledge and belief.

Daniel A. Paulson
DANIEL A. PAULSON
Registered Land Surveyor No. 1699



Dated: August 6, 1985