

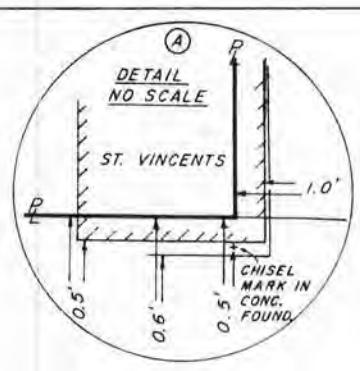
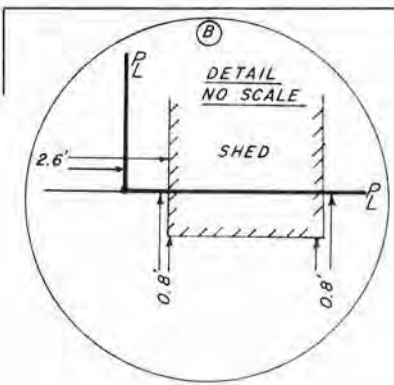
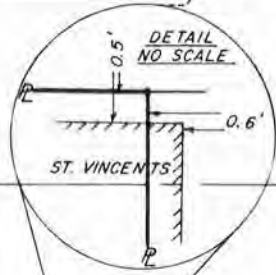
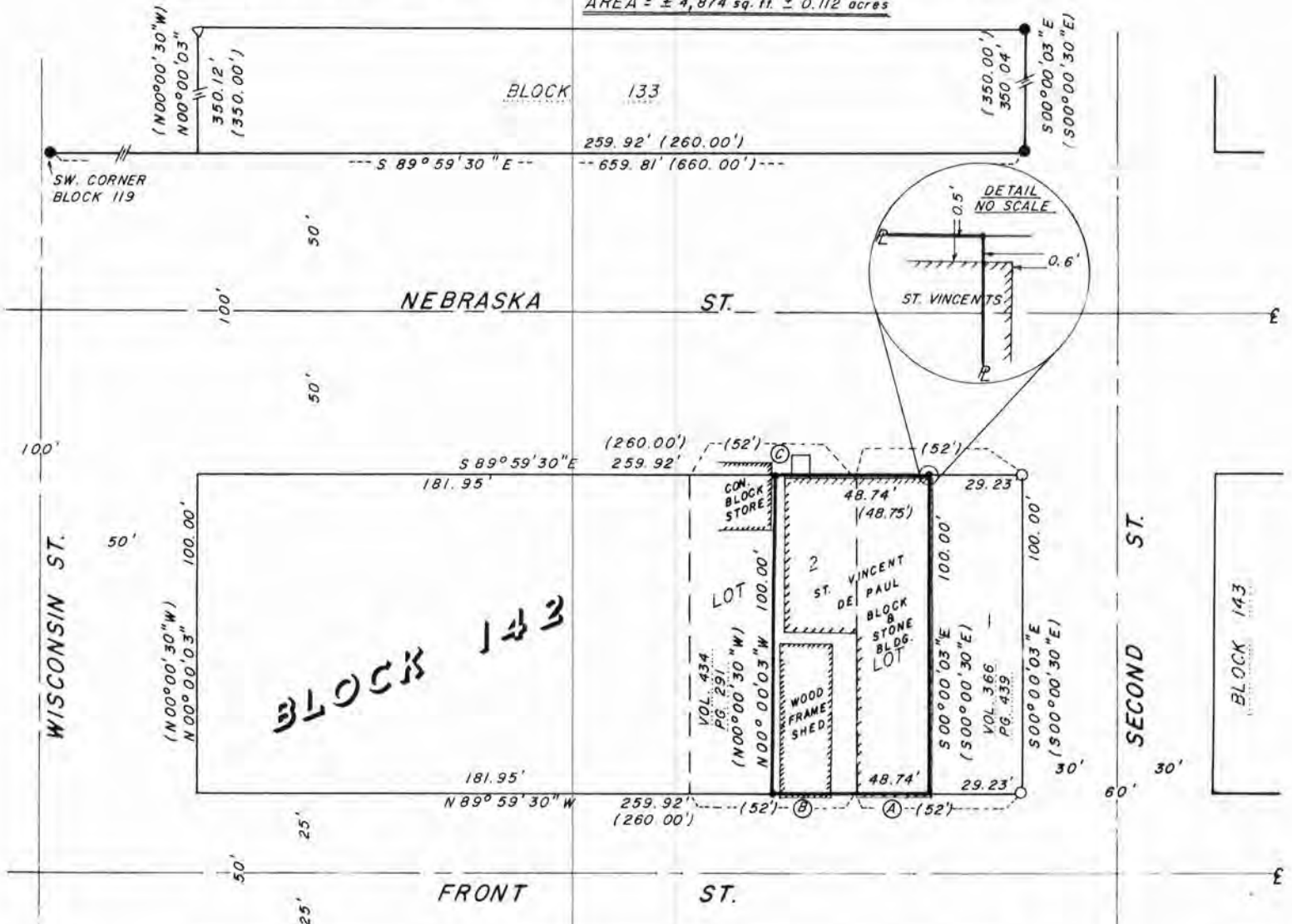
SEP 27 1985

RECEIVED

MAP OF SURVEY

BEING PART OF LOTS 1 & 2, BLOCK 142, ORIGINAL PLAT OF THE VILLAGE OF MUSCODA, LOCATED IN THE SE 1/4 OF THE NW 1/4 OF SECTION 12, T8N, R1W, VILLAGE OF MUSCODA, GRANT COUNTY, WISCONSIN.

AREA = ± 4,874 sq. ft. ± 0.112 acres



BASIS OF BEARINGS

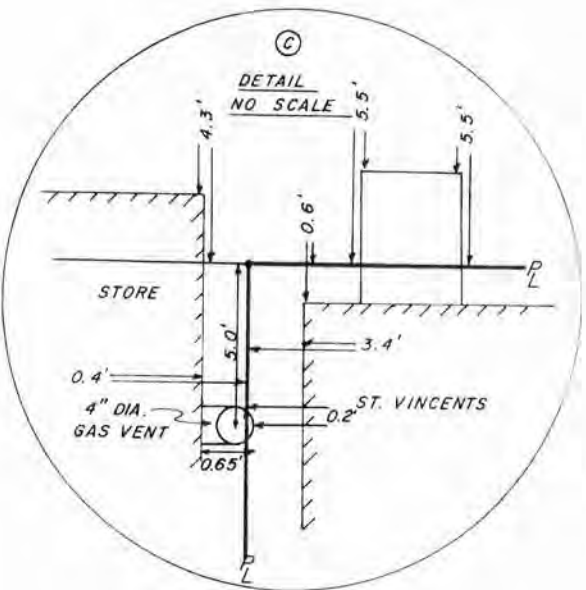
THE NORTH LINE OF NEBRASKA ST. IS ASSUMED TO BEAR: S 89° 59' 30" E

LEGEND

- 1/4" REBAR (FOUND) AS PER ANTHONY THOUSAND SURVEY SEP. 1, 1970
- △ PUNCH HOLE IN CONCRETE SIDEWALK (FOUND) AS PER THOUSAND SURVEY SEP. 1, 1970
- 1/4" IRON PIPE (FOUND)
- 3/4" x 24" REBAR (SET) WEIGHING 1.50 LBS./L.F.

(1) "RECORDED AS" INFORMATION

DANIEL A. PAULSON
 SURVEYOR
 BARABOO, WI



GENERAL ENGINEERING COMPANY, INC.
 CONSULTING ENGINEERS
 412 E. SLIFER ST. P.O. BOX 340
 PORTAGE, WISCONSIN 53901

ST. VINCENT DE PAUL SURVEY

PART OF LOTS 1 & 2, BLOCK 142, PLAT OF MUSCODA, SE 1/4 - NW 1/4 SEC. 12 - 8 - 1, VILL. OF MUSCODA, GRANT CO., WISCONSIN.

Drawn by J. Mc DONALD
 Checked by
 File No. 785-99

Scale 1" = 50'
 Date AUG. 1, 1985
 Revised 9-23-85

SEP 27 1985

RECEIVED

SURVEYOR'S CERTIFICATE

I, DANIEL A. PAULSON, Registered Land Surveyor, DO HEREBY CERTIFY that by the order of WILFORD AIDE, President, St. Vincent de Paul Society, Muscoda Conference, I have surveyed, monumented and mapped the West 22.75 feet of Lot 1 and the East Half of Lot 2, Block 142, Original Plat of the Village of Muscoda, Grant County, Wisconsin, described as follows:

COMMENCING AT the Southeast corner of said Block 142; thence North $89^{\circ}59'30''$ West along the South line of said Block 142, 29.23 feet to the Point of Beginning; thence continuing North $89^{\circ}59'30''$ West along said South line of Block 142, 48.74 feet; thence North $0^{\circ}00'03''$ West (recorded as North $0^{\circ}00'30''$ West), 100.00 feet to the North line of said Block 142; thence South $89^{\circ}59'30''$ East along said North line of Block 142, 48.74 feet; thence South $0^{\circ}00'03''$ East (recorded as South $0^{\circ}00'30''$ East), 100.00 feet to the Point of Beginning. Containing 0.112 acres (4,874 square feet) more or less. Intending to describe properties recorded in Volume 501, Page 882 and Volume 519, Page 543.

I DO FURTHER CERTIFY that this survey is correct to the best of my knowledge and belief.



Daniel A. Paulson

DANIEL A. PAULSON
Registered Land Surveyor No. 1699

Date: August 6, 1985
REVISED: September 23, 1985