

PLAT OF SURVEY

REFERENCE LINE DESCRIPTION:

Commencing at the Southwest corner of Section Twenty-five (25), Township Two (2) North, Range One (1) West of the 4th P.M., Grant County, Wisconsin and being described as follows: thence South 89° 35' 30" East 964.74 feet along the South line of said Section; thence North 00° 04' 34" West 251.74 feet along the West line of Certified Survey Map No. 1608 recorded Document No. 741542, Grant County Registry to a No. 6 rebar marking the point of beginning; thence North 02° 18' 20" East 223.33 feet along a line of said C.S.M. No. 1608 to a 1 1/2" iron pipe; thence North 88° 03' 08" East 183.20 feet along a line of said C.S.M. to a P.K. Nail; thence North 01° 01' 03" West 252.56 feet along a line of Certified Survey Map No. 1558 recorded as Document No. 731666, Grant County Registry; thence North 89° 08' 20" East 145.00 feet along a line of said C.S.M. No. 1558 to a No. 6 rebar; thence South 01° 00' 47" East 250.46 feet along a line of said C.S.M. Map No. 1558 to a 1" iron pipe; thence South 00° 10' 06" East 206.32 feet along a line of said C.S.M. No. 1608 to a 1" iron pipe; thence South 00° 03' 59" East 281.48 feet along a line of said C.S.M. No. 1608; thence South 89° 35' 30" East 662.45 feet along the South line of said Section 25; thence North 00° 24' 02" West 661.16 feet along a line of that property described in Volume 656, Page 875 recorded as Document No. 530740, Grant County Registry to a No. 6 rebar; thence continuing North 00° 24' 02" West 659.30 feet along a line of said property to a No. 6 rebar; thence South 89° 27' 19" East 644.82 feet along a line of said property to the Southwest corner of Lot 3 of Certified Survey Map No. 1698 recorded as Document No. 758541, Grant County Registry to a No. 6 rebar marking the terminus point.

LOT 1
CSM 1698

LOT 3
CSM 1698

TERMINUS POINT
REFERENCE LINE

S 89°27'19" E 644.82'
(S 89°52'51" E)

PREVIOUS SURVEY
BY MICHAEL LaROSA
DATED 5-20-1998
BOOK 3, PAGE 4

LINES PREVIOUSLY SURVEYED
BY LAURENCE SCHMIT
REVISED 4-17-1989
BOOK M, PAGE 48

N 00°24'02" W 659.30'
(N 00°40'02" W)

N 00°24'02" W 661.16'
(S 00°40'02" E)

SOUTH 1/4 CORNER
SECTION 25, T2N R1W

2645.67'

49.5'

SURVEYOR'S CERTIFICATE:

I, Aaron J. Austin, Registered Wisconsin Land Surveyor, hereby certify:
That the above description was surveyed, mapped and monumented as shown on this plat by me or under my direct supervision.
That this survey was prepared under the instructions of Art McNett.
That to the best of my knowledge and belief, this plat is an accurate representation thereof.
That all plans that do not show a seal imprint in red ink may contain unauthorized alterations.
The certification contained on this document shall not apply to any copies.
Dated this 1st day of December, 2013.

Aaron J. Austin
Aaron J. Austin, S-2922

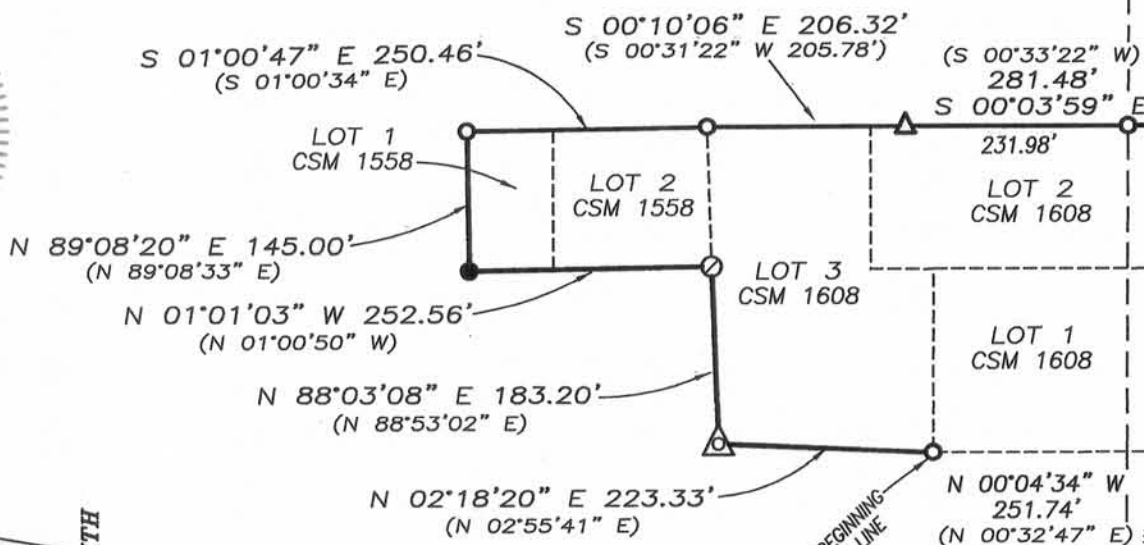
PREVIOUS SURVEY
BY LAURENCE SCHMIT
REVISED 4-17-1989
BOOK M, PAGE 48



The South line of the SW 1/4 of Section 25 bears S 89°35'30" E according to the Grant County Coordinate System (2007 adjustment) which was determined by G.P.S. observation.

0 200 400

SCALE 1" = 200'



LEGEND

- ☐ Aluminum Monument found
- PK Nail found
- No. 6 rebar found
- ▲ 1" diameter iron pipe found
- ▲ 1 1/2" diameter iron pipe found
- No. 6 x 18" rebar set with cap
- 1/2" x 1" x 4' Wood lath set
- () Recorded as

964.74'

S 89°35'30" E

26 25 36 35

SOUTHWEST CORNER
SECTION 25, T2N R1W

Prepared for: GERT TIMO FEHRENSSEN

Austin Engineering LLC
austinengineeringllc.com
4211 HWY 81 E, LANCASTER, WI 53813
PHONE: 608-723-6363 FAX: 608-723-6702

JOB NO: 13s193
G:\13s193
H:\PLOT\T2NR1W\25\13s193-FEHRENSSEN

FIELDBOOK: TDSR
DRAWN BY: AJ AUSTIN
CREW: SW AUSTIN