

LOCATED IN THE NW 1/4 OF THE SE 1/4, THE SW 1/4 OF THE SE 1/4, THE SE 1/4 OF THE SW 1/4 AND THE SW 1/4 OF THE SW 1/4 OF SECTION 11, THE NW 1/4 OF THE NW 1/4, THE NE 1/4 OF THE NW 1/4, AND THE SW 1/4 OF THE NW 1/4 OF SECTION 14, AND THE SE 1/4 OF THE NE 1/4 OF SECTION 15, T6N, R5W, OF 4th P.M., MILLVILLE TOWNSHIP, GRANT COUNTY, WISCONSIN

# PLAT OF SURVEY

**Surveyor's Certificate:**

I, Stanley J. King, Registered Wisconsin Land Surveyor, do hereby certify:

That I have surveyed and mapped this Plat of Survey, being located in the Northwest One-Quarter (NW 1/4) of the Southeast One-Quarter (SE 1/4), the Southwest One-Quarter (SW 1/4) of the Southeast One-Quarter (SE 1/4), the Southeast One-Quarter (SE 1/4) of the Southwest One-Quarter (SW 1/4), and the Southwest One-Quarter (SW 1/4) of the Southwest One-Quarter (SW 1/4) of Section Eleven (11), in the Northwest One-Quarter (NW 1/4) of the Northwest One-Quarter (NW 1/4), the Northeast One-Quarter (NE 1/4) of the Northwest One-Quarter (NW 1/4), and the Southwest One-Quarter (SW 1/4) of the Northwest One-Quarter (NW 1/4) of Section Fourteen (14), and the Southeast One-Quarter (SE 1/4) of the Northeast One-Quarter (NE 1/4) of Section Fifteen (15), Town Six North (T 6 N), Range Five West (R 5 W) of the Fourth Principal Meridian, Millville Township, Grant County, Wisconsin, containing 256.76 acres, more or less, and being described as follows:

Commencing at the Southwest corner of said Section Eleven (11) said corner being the Point of Beginning;  
 Thence N 00°15'27" E 1,316.57 to the northwest corner of the Southwest One-Quarter (SW 1/4) of the Southwest One-Quarter (SW 1/4) of said Section Eleven (11);  
 Thence S 89°35'28" E 2,652.62 to the northeast corner of the Southeast One-Quarter (SE 1/4) of the Southwest One-Quarter (SW 1/4) of said Section Eleven (11);  
 Thence N 00°35'01" W 966.85 along the west line of the Northwest One-Quarter (NW 1/4) of the Southwest One-Quarter (SW 1/4) of said Section Eleven (11) to the southerly property line as surveyed by Matthew J. Janiak completed November 7th, 1988;  
 Thence S 86°12'21" E 120.07 along said southerly property line to the centerline of Millville Hollow Road;  
 Thence 221.91' along said centerline along the arc of a curve to the right containing a radius of 1,315.00' an interior angle of 09°40'07", and a chord bearing and distance of S 11°01'16" E 221.64';  
 Thence S 06°11'12" E 164.55' along said centerline of Millville Hollow Road;  
 Thence 334.04' along said centerline along the arc of a curve to the right containing a radius of 1,000.00', an interior angle of 19°08'20", and a chord bearing and distance of S 03°22'58" W 332.49';  
 Thence S 12°57'08" W 78.73' along said centerline of Millville Hollow Road;  
 Thence 183.41' along said centerline along the arc of a curve to the left containing a radius of 500.00', an interior angle of 21°35'24", and a chord bearing and distance of S 02°09'26" W 187.30';  
 Thence S 08°38'16" E 272.48' along said centerline of Millville Hollow Road;  
 Thence 677.21' along said centerline along the arc of a curve to the left containing a radius of 1,330.00', an interior angle of 29°10'26", and a chord bearing and distance of S 23°13'29" E 686.54';  
 Thence S 37°48'42" E 249.58' along said centerline of Millville Hollow Road;  
 Thence 224.36' along said centerline along the arc of a curve to the right containing a radius of 1,320.00', an interior angle of 09°44'18", and a chord bearing and distance of S 32°56'33" E 224.09' to the south line of the Southeast One-Quarter (SE 1/4) of said Section Eleven (11);  
 Thence N 89°27'33" W 682.27' to the southwest corner of the Southeast One-Quarter (SE 1/4) of said Section Eleven (11);  
 Thence S 00°21'01" W 1,329.50' to the southeast corner of the Northeast One-Quarter (NE 1/4) of the Northwest One-Quarter (NW 1/4) of said Section Fourteen (14);  
 Thence N 89°50'23" W 1,315.58' to the southwest corner of the Northeast One-Quarter (NE 1/4) of the Northwest One-Quarter (NW 1/4) of said Section Fourteen (14);  
 Thence S 00°31'30" E 1,338.21' to the southeast corner of the Southwest One-Quarter (SW 1/4) of the Northwest One-Quarter (NW 1/4) of said Section Fourteen (14);  
 Thence S 89°46'44" W 1,295.20' to the southwest corner of the Northwest One-Quarter (NW 1/4) of said Section Fourteen (14);  
 Thence N 89°26'59" W 1,370.26' to the southwest corner of the Southeast One-Quarter (SE 1/4) of the Northeast One-Quarter (NE 1/4) of said Section Fifteen (15);  
 Thence N 00°42'55" W 1,334.80' to the northwest corner of the Southeast One-Quarter (SE 1/4) of the Northeast One-Quarter (NE 1/4) of said Section Fifteen (15);  
 Thence S 89°57'24" E 1,354.22' to the northeast corner of the Southeast One-Quarter (SE 1/4) of the Northeast One-Quarter (NE 1/4) of said Section Fifteen (15);  
 Thence N 01°23'19" W 1,347.23' along the west line of the Northwest One-Quarter (NW 1/4) of said Section Fourteen (14) to the Point of Beginning and being subject to any and all easements of record and/or usage.

That I have made this survey, land division, and map by the direction of Jeff Kaiser.

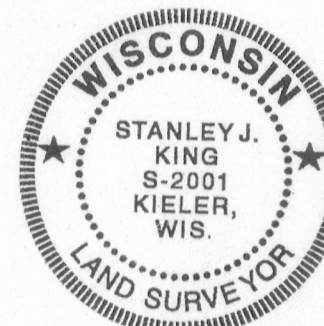
There is no warranty with respect to local ordinances.

That such map is a correct representation of all the exterior boundaries of the land surveyed thereof.

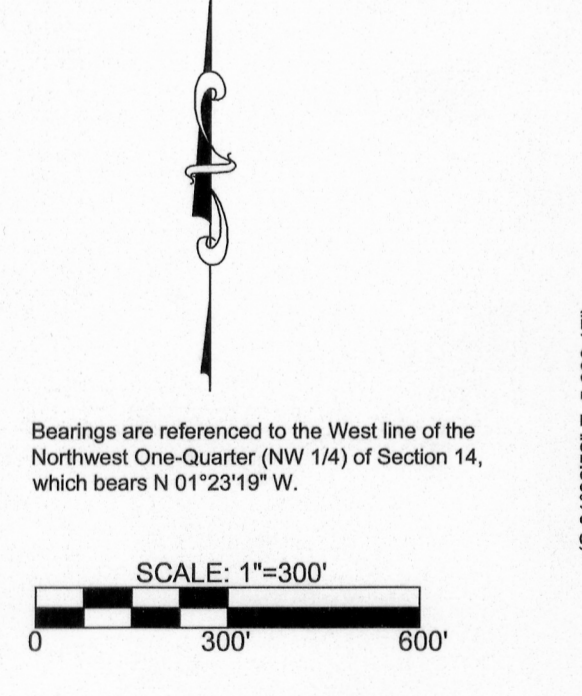
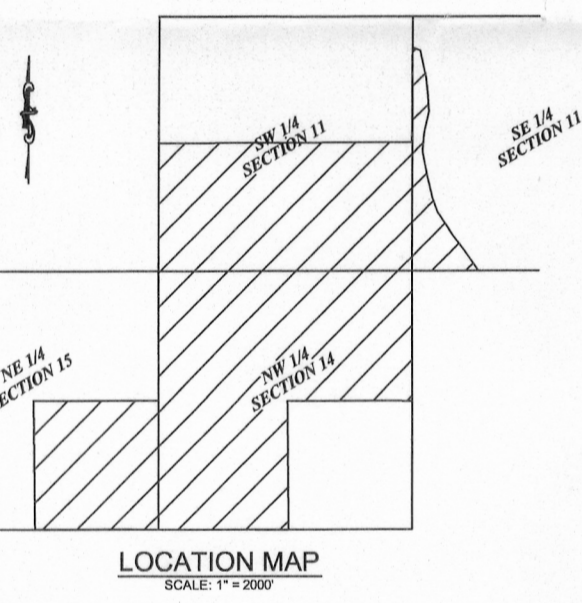
That I have fully complied with the provisions of Chapter 236 of the Wisconsin Statutes and the subdivision requirements of Millville Township in surveying and mapping the same.

Dated this 27th day of March, 2012

Stanley J. King, S-2001  
 Stanley J. King, S-2001



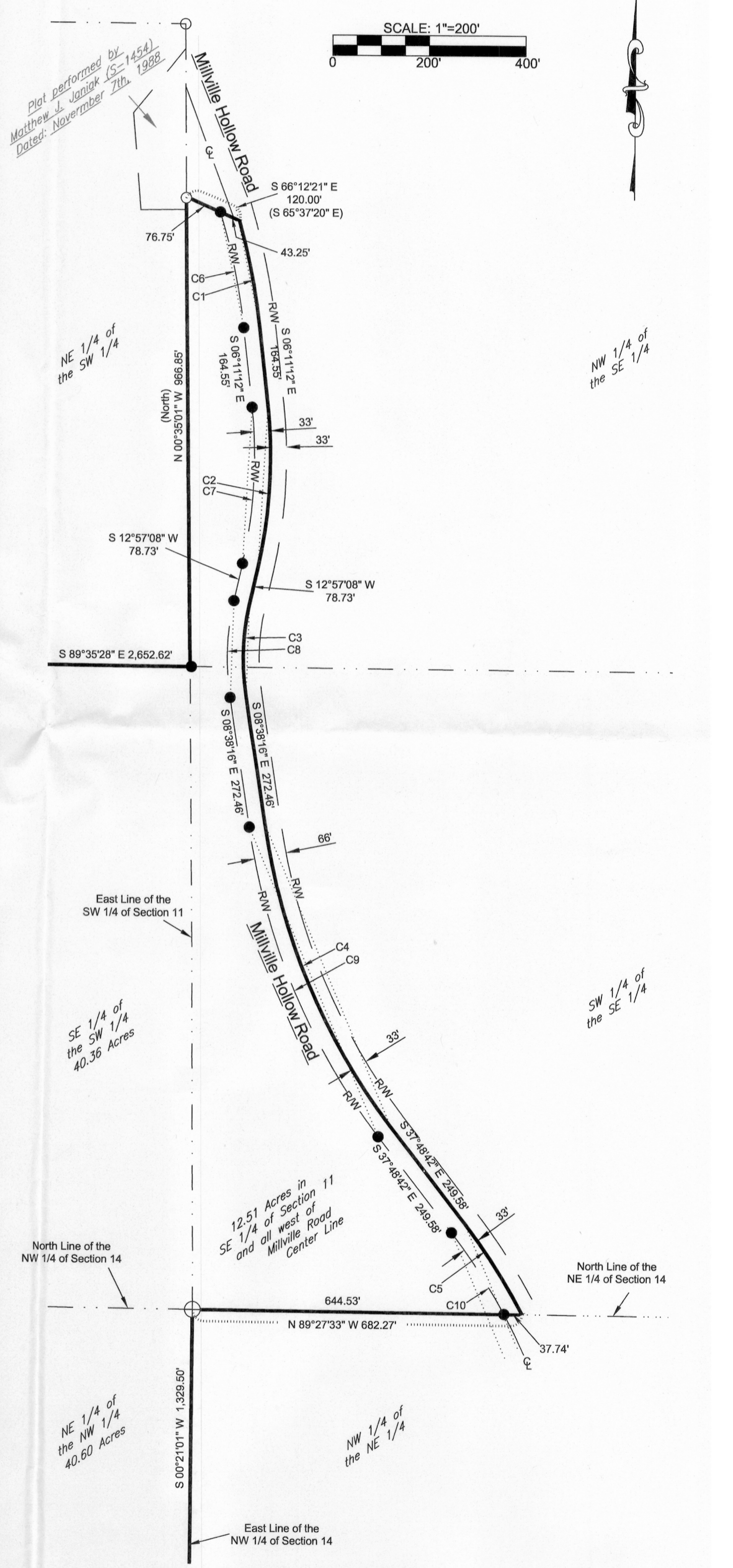
- Legend**
- Set No. 6 x 18" rebar set wt = 1.50 #/L.F.
  - No. 10 x 18" rebar set wt = 4.30 #/L.F.
  - No. 10 Rebar Found
  - No. 6 Rebar Found
  - ⊕ Grant County Aluminum Monument Found
  - ( ) Recorded As
  - Boundary Line
  - Section Line/40 Line
  - Center Line Road
  - ROW / Property Lines



Bearings are referenced to the West line of the Northwest One-Quarter (NW 1/4) of Section 14, which bears N 01°23'19" W.



Curve	Arc	Radius	Chord Bearing	Chord Length	Delta Angle	Location	Tangent	Tange
C1	221.91'	1,315.00'	S 11°01'16" E	221.64'	09°40'07"	Millville Hollow Road Center Line	S 15°51'19" E	S 06°11'12" E
C2	334.04'	1,000.00'	S 03°22'58" W	332.49'	19°08'20"	Millville Hollow Road Center Line	S 06°11'12" E	S 12°57'08" W
C3	183.41'	500.00'	S 02°09'26" W	187.30'	21°35'24"	Millville Hollow Road Center Line	S 12°57'08" W	S 08°38'16" E
C4	677.21'	1,330.00'	S 23°13'29" E	686.54'	29°10'26"	Millville Hollow Road Center Line	S 08°38'16" E	S 37°48'42" E
C5	224.36'	1,320.00'	S 32°56'33" E	224.09'	09°44'18"	Millville Hollow Road Center Line	S 37°48'42" E	S 28°04'2" E
C6	243.93'	1,282.00'	N 11°38'16" W	243.57'	10°54'07"	Millville Hollow Road RW	S 17°05'19" E	S 06°11'12" E
C7	323.01'	967.00'	S 03°22'58" W	321.51'	19°08'20"	Millville Hollow Road RW	S 06°11'12" E	S 12°57'08" W
C8	200.84'	633.00'	S 02°09'26" W	199.66'	21°35'24"	Millville Hollow Road RW	S 12°57'08" W	S 08°38'16" E
C9	684.01'	1,363.00'	S 23°13'29" E	686.54'	29°10'26"	Millville Hollow Road RW	S 08°38'16" E	S 37°48'42" E
C10	200.67'	1,287.00'	S 33°20'42" E	200.47'	08°56'02"	Millville Hollow Road RW	S 37°48'42" E	S 28°04'2" E



**Right-of-Way Detail**

Prepared For: Jeff Kaiser  
 4442 West Lane  
 Cube City, WI 5380

Date: Dec. 19, 2011  
 Drawn By: C.Coyler  
 Approved By: SJK  
 Survey Crew: KAK/BD/CLJ  
 Data: G:\Projects\2011\11-063\CAD\Project\_Millville.dwg  
 Drawing: G:\Projects\2011\11-063\Plat\Final Plat.dwg  
 Sheet 1 of 1

**DELTA 3 ENGINEERING INC**  
 Professional Civil-Municipal & Structural Engineering  
 Grant Writing Land Development Planning & CAD Serv  
 875 South Chestnut Street Phone: (608) 348-535  
 Platteville, Wisconsin 53818 Fax: (608) 348-545