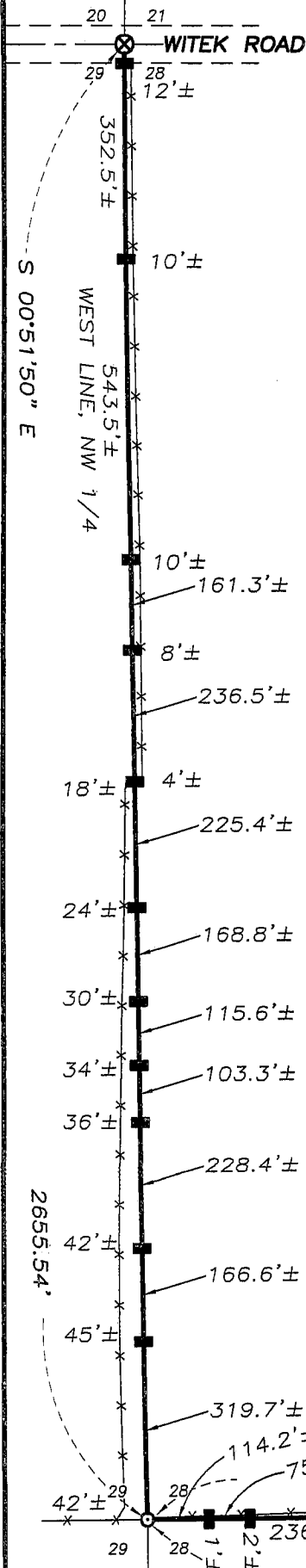


PLAT OF SURVEY

NORTHWEST CORNER SECTION 28, T7N R1W

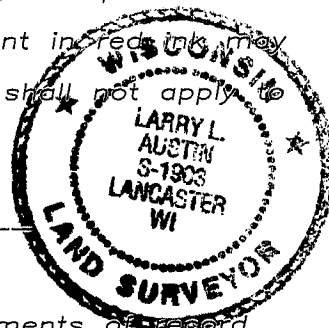


SURVEYOR'S CERTIFICATE:

I, Larry L. Austin, Registered Wisconsin Land Surveyor, hereby certify:
 That the West line of the Northwest Quarter, and the South line of the Southwest Quarter (SW 1/4) of the Northwest Quarter (NW 1/4) of Section 28, T7N R1W of the 4th p.m., Castle Rock Township, Grant County, Wisconsin, was surveyed, mapped and monumented as shown on this plat by me or under my direct supervision.
 That conformance with local ordinances are not guaranteed with this survey.
 That this survey was prepared under the instructions of Donald Kuchar.
 That to the best of my knowledge and belief, this plat is an accurate representation thereof.
 That all plans that do not show a seal imprint in red ink may contain unauthorized alterations.
 The certification contained on this document shall not apply to any copies.

Dated this 15th day of April, 2009.

Larry L. Austin
 Larry L. Austin, S-1903



SURVEYOR'S NOTES:

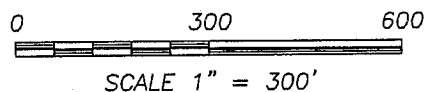
Surveyor has made no investigation for easements of record, encumbrances, restrictive covenants, ownership title evidence except as specifically shown on this plat. No distance should be assumed by scaling. No improvements have been located unless shown and noted. No representation as to ownership, use or possession should be hereon implied. Refer to abstract, title or local ordinances for any additional restriction, easements or building setback lines. No abstract, nor title commitment, nor results of title searches were furnished the surveyor. There may exist documents of record which would affect this parcel.

LEGEND

- ⊗ No. 7 rebar found
- 9/16" x 1.5" x 48" Wooden lath set
- No. 6 rebar found
- ▲ 2" diameter iron pipe found
- *— Approximate location of fence



Bearings referenced to the West line of the NW 1/4 of Section 28, which is assumed to bear South 00°51'50" East.



WEST 1/4 CORNER SECTION 28, T7N R1W

LINE SURVEY BY BOWDEN DATED 1-10-02

SE COR, SW 1/4, NW 1/4

EAST 1/4 CORNER SECTION 28, T7N R1W



Austin Engineering LLC

4211 HWY 81 E, LANCASTER, WI 53813
 PHONE 608-723-6363 FAX 608-723-6702

Prepared For: Donald Kuchar

JOB NO: 09S065
 FIELDBOOK: TDSR
 G:\T7NR1W\29
 H:\PLAT\T7NR1W\28\09S065-KUCHAR

DRAWN BY: SW AUSTIN
 APPROVED: LL AUSTIN
 CREW: BS-SA-BD-SB

SHEET 1 OF 1