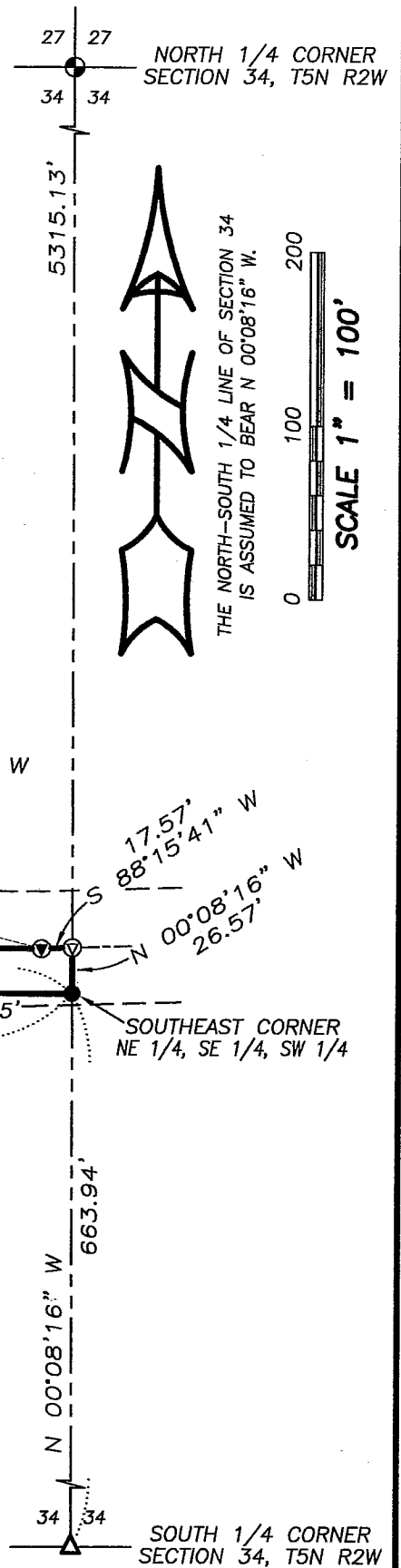
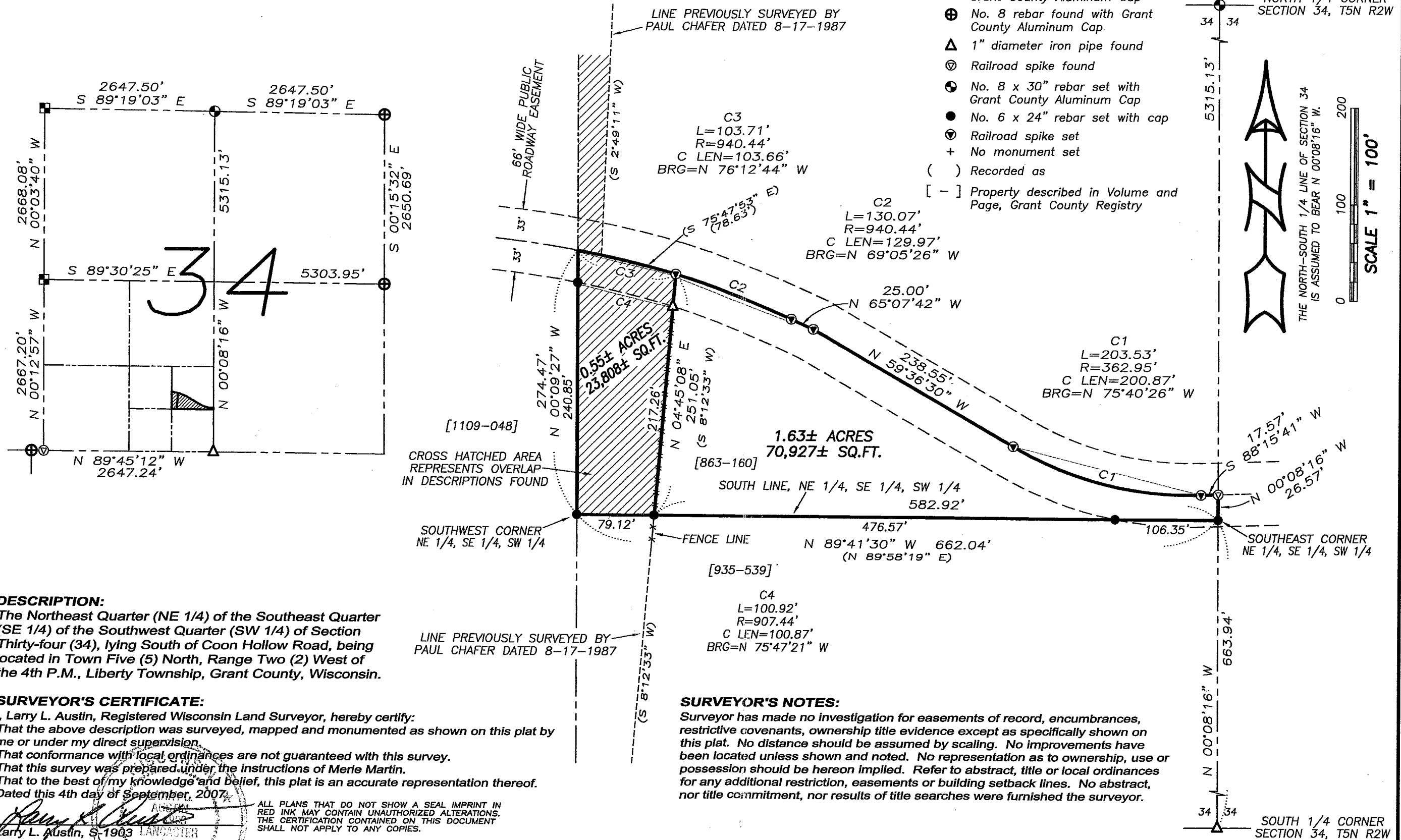


PLAT OF SURVEY

LEGEND

- Aluminum Monument found with Grant County Aluminum Cap
- ⊕ No. 8 rebar found with Grant County Aluminum Cap
- △ 1" diameter iron pipe found
- ⊖ Railroad spike found
- ⊕ No. 8 x 30" rebar set with Grant County Aluminum Cap
- No. 6 x 24" rebar set with cap
- ⊖ Railroad spike set
- + No monument set
- () Recorded as
- [-] Property described in Volume and Page, Grant County Registry



DESCRIPTION:

The Northeast Quarter (NE 1/4) of the Southeast Quarter (SE 1/4) of the Southwest Quarter (SW 1/4) of Section Thirty-four (34), lying South of Coon Hollow Road, being located in Town Five (5) North, Range Two (2) West of the 4th P.M., Liberty Township, Grant County, Wisconsin.

SURVEYOR'S CERTIFICATE:

I, Larry L. Austin, Registered Wisconsin Land Surveyor, hereby certify: That the above description was surveyed, mapped and monumented as shown on this plat by me or under my direct supervision. That conformance with local ordinances are not guaranteed with this survey. That this survey was prepared under the instructions of Merle Martin. That to the best of my knowledge and belief, this plat is an accurate representation thereof. Dated this 4th day of September, 2007.

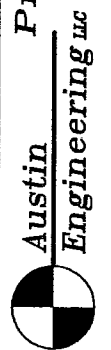
Larry L. Austin, S-1903 LANCASTER, WI

ALL PLANS THAT DO NOT SHOW A SEAL IMPRINT IN RED INK MAY CONTAIN UNAUTHORIZED ALTERATIONS. THE CERTIFICATION CONTAINED ON THIS DOCUMENT SHALL NOT APPLY TO ANY COPIES.

SURVEYOR'S NOTES:

Surveyor has made no investigation for easements of record, encumbrances, restrictive covenants, ownership title evidence except as specifically shown on this plat. No distance should be assumed by scaling. No improvements have been located unless shown and noted. No representation as to ownership, use or possession should be hereon implied. Refer to abstract, title or local ordinances for any additional restriction, easements or building setback lines. No abstract, nor title commitment, nor results of title searches were furnished the surveyor.

Prepared For: **BREN-MAR FARMS INC.**



4211 HWY 81 E LANCASTER, WI 53813
PHONE 608-723-6365 FAX 608-723-6702

DRAWN BY: AJ AUSTIN
APPROVED: LL AUSTIN
CREW: BS-SA-BD

JOB NO: 07s192
FIELDBOOK: TDSR, 2700
G:\T5NR2W\32
H:\PLAT\T5NR2W\34\07s192-MARTIN