

259





JAN 3 1986

RECEIVED

City of
Cuba City

SURVEY PLAT

LEGEND

-  Set 1/2" drill hole in concrete walk
-  Set 2" iron pipe min. weight = 3.65 lbs. per lin. ft.
-  Found 2" iron pipe
-  Found 3/4" round iron bar



Bearings are referenced to the West line of Block 22, original plat of Cuba City, recorded as bearing $N1^{\circ}03'20''E$.

SCALE: 1" = 100'

SURVEYED FOR:

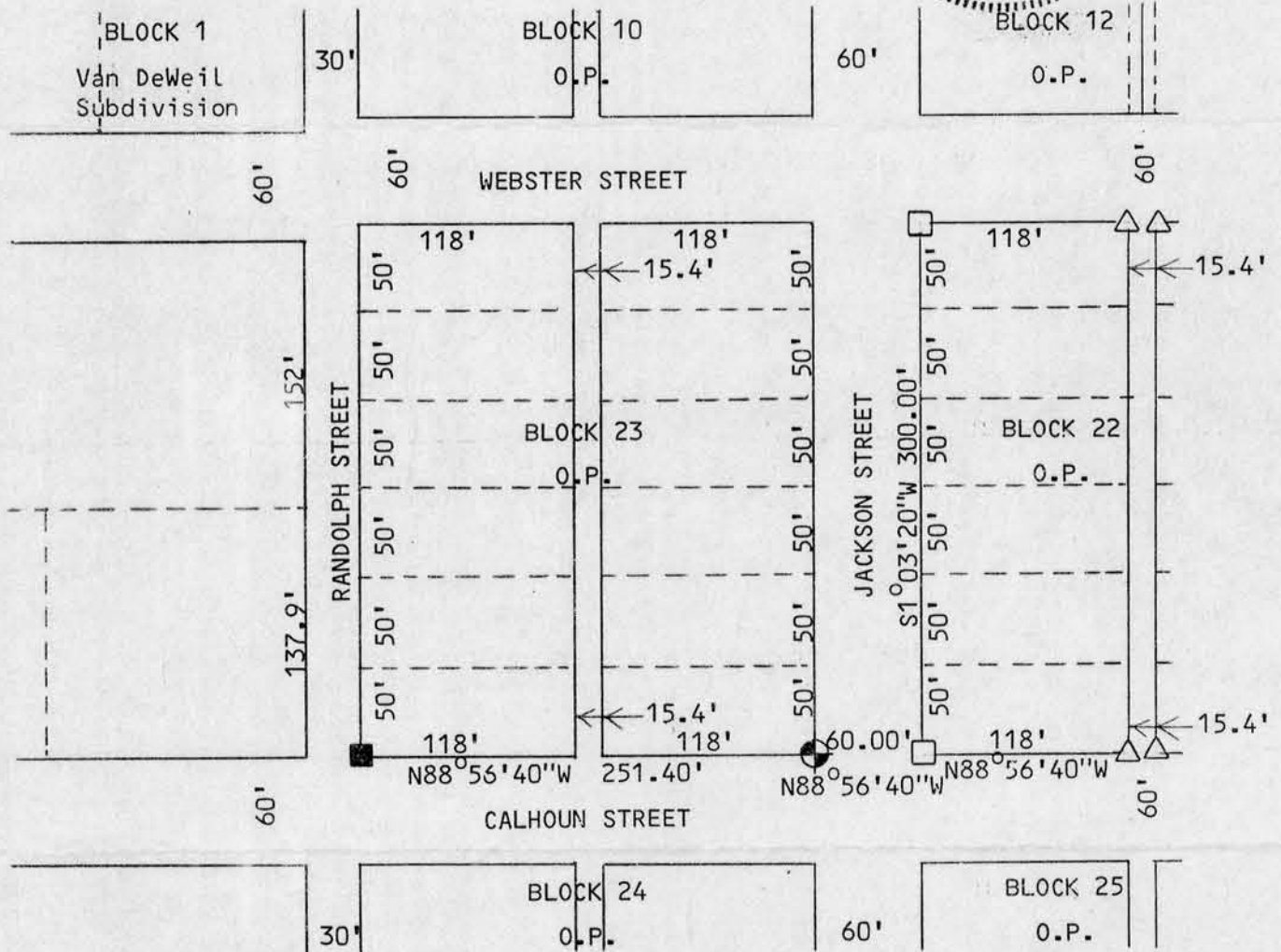
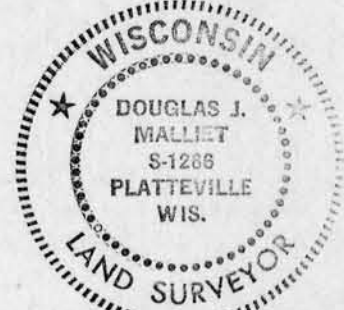
City of Cuba City
Cuba City, Wisconsin

Surveyors note:

The right-of-way as shown was surveyed for new street construction, under the direction of the Public Works Committee of the City of Cuba City.

Douglas J. Malliet

Douglas J. Malliet, S-1266
Registered Land Surveyor
December 19, 1985



D. F. BURBACH MUNICIPAL & CIVIL ENGINEERS

Box 96E, Highway 80 South • PLATTEVILLE, WISCONSIN 53818 • (608) 348-3262

Page 1 of 1